

interfaces

Vehicle electrical system faults are often traced to problems at the cable entry points of electrical connectors. Harnessflex connector interfaces are designed to protect against the high pressure wash-down, excessive cable strain and mechanical abrasion identified as the principle causes. Variety, flexibility and assembly speed are inherent in all Harnessflex fittings.

quality & standards

Manufacturing is controlled in accordance with BS EN ISO 9001 whilst ongoing testing & approval to international standards, eg: UL recognition, TUV & LCIE, provides any additional confidence required to specify appropriate Harnessflex products across the widest variety of automotive applications including hazardous or aggressive environments.

Conduit has the following approvals,

- FMVSS 302 Ford flammability specification for conduit.
- NFR13-903 French automotive conduit specification.
- UL Recognised American electrical conduit specification.

All components comply with End of Life Vehicle (ELV) directive EU2000/53/EC. Harnessflex also comply to ISO14001 - Environmental Standard

capabilities

Harnessflex works closely with many blue chip companies in the development of protection for electrical connectors (a critical area of an engine harness).

Our experienced internal design team use 3D CAD modelling software to produce various concepts for customer approval.

Once a design is selected, a rapid prototype of the interface can be supplied to enable a pre-production harness to be assembled.

These prototype parts can be used for validation purposes, due to the close approximation of properties of the material used in the prototyping process and Polyamide 6,6 used in our injection moulded components (see page 46 for material specification).

With Harnessflex's history of connector interface design and our understanding of customers requirements, we are well placed to produce bespoke designs to integrate any electrical connector into a harness design.

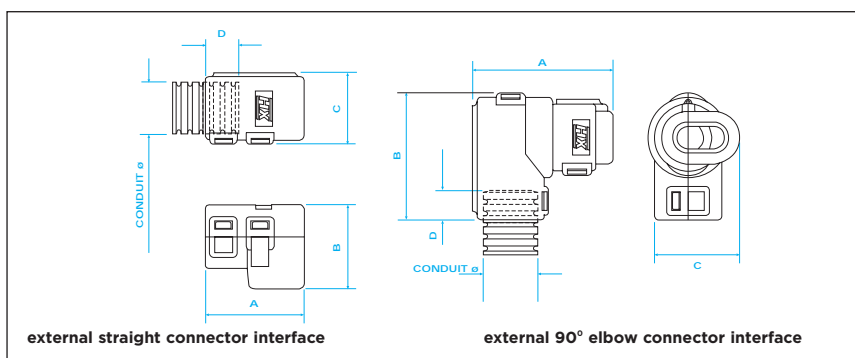
hints & tips

1. Interfaces can be used in areas where electrical connectors are vulnerable to high pressure washing.
2. Our interfaces offer strain relief to crimped contacts.
3. When our 90° swivel elbows are used with interfaces they allow the harness to self level.
4. Using our part CI-MF-90, in addition to a standard 90° swivel fitting, a 180° swivel bend is possible.





external connector interface dimensions



configurations/part numbers (AMP Superseal)

Part no. straight interface	Part no. 90° elbow swivel interface	conduct size (NC)	conduct size (NW)	connector type
CI08-AS1	CI08-90-AS1	08	7.5	AMP Superseal 1-way
CI08-AS2	CI08-90-AS2	08	7.5	AMP Superseal 2-way
CI08-AS3	CI08-90-AS3	08	7.5	AMP Superseal 3-way
CI08-AS4	CI08-90-AS4	08	7.5	AMP Superseal 4-way
CI10-AS2	CI10-90-AS2	10	8.5	AMP Superseal 2-way
CI10-AS3	CI10-90-AS3	10	8.5	AMP Superseal 3-way
CI10-AS4	CI10-90-AS4	10	8.5	AMP Superseal 4-way
CI12-AS1	CI12-90-AS1	12	10	AMP Superseal 1-way
CI12-AS2	CI12-90-AS2	12	10	AMP Superseal 2-way
CI12-AS3	CI12-90-AS3	12	10	AMP Superseal 3-way
CI12-AS4	CI12-90-AS4	12	10	AMP Superseal 4-way

Description

Single junction straight and 90° elbow fittings providing high integrity connections between AMP Superseal or Junior timer connectors and Harnessflex conduit systems.

These fittings are designed to snap together over all types of slit and unslit conduit thus maintaining maximum conduit bore.

In addition, 90° elbow versions allow the conduit to swivel 360° around the connector housing, sufficient to avoid the problems associated with one-piece interfaces of overflexing due to movement or vibration.

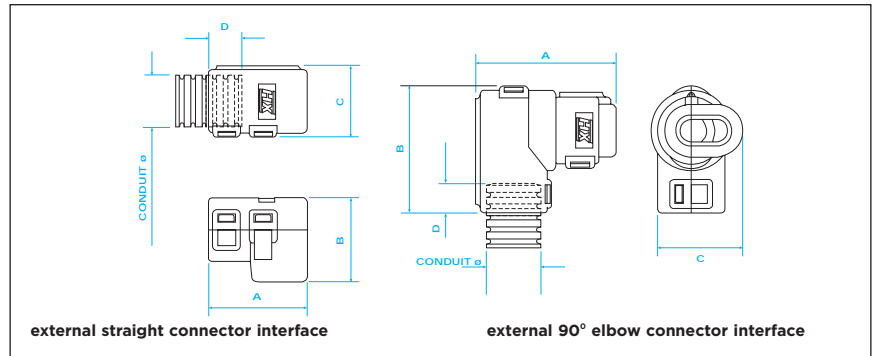
nominal dimensions (AMP Superseal)

Part no. straight interface	Part no.				Part no. 90° elbow swivel interface	Part no.			
	A	B	C	D		A	B	C	D
CI08-AS1	23.6	16.1	18	10	CI08-90-AS1	37.5	30.3	18	10
CI08-AS2	22.4	20.5	18	10	CI08-90-AS2	33.3	30.3	18	10
CI08-AS3	22.4	26.5	18	10	CI08-90-AS3	33.3	30.3	18	10
CI08-AS4	34	33	18	10	CI08-90-AS4	37	30.3	18	10
CI10-AS2	34	21	20	10	CI10-90-AS2	35	38	19	10
CI10-AS3	34	27	20	10	CI10-90-AS3	35	38	19	10
CI10-AS4	34	33	20	10	CI10-90-AS4	41.2	38	19	10
CI12-AS1	23.6	16.1	18	10	CI12-90-AS1	33.3	30.3	18	10
CI12-AS2	22.4	20.5	18	10	CI12-90-AS2	33.3	30.3	20.5	10
CI12-AS3	22.4	26.5	18	10	CI12-90-AS3	33.3	30.3	26.7	10
CI12-AS4	34	33	19	10	CI12-90-AS4	37	30.3	33	10

note: dimensions are in mm



external connector interface dimensions



configurations/part numbers (AMP Junior timer)

Part no. straight interface	Part no. 90° elbow swivel interface	conduct size (NC)	conduct size (NW)	connector type
CI08-AM2	CI08-90-AM2	08	7.5	AMP Junior timer 2-way
CI08-AM3	CI08-90-AM3	08	7.5	AMP Junior timer 3-way
CI08-AM4	CI08-90-AM4	08	7.5	AMP Junior timer 4-way
CI10-AM2	CI10-90-AM2	10	8.5	AMP Junior timer 2-way
CI10-AM3	CI10-90-AM3	10	8.5	AMP Junior timer 3-way
CI10-AM4	CI10-90-AM4	10	8.5	AMP Junior timer 4-way
CI12-AM2	CI12-90-AM2	12	10	AMP Junior timer 2-way
CI12-AM3	CI12-90-AM3	12	10	AMP Junior timer 3-way
CI12-AM4	CI12-90-AM4	12	10	AMP Junior timer 4-way

configurations/part numbers (AMP Mini timer)

CI12-X01	CI12-90-X01	12	10	AMP Mini timer 1-way
-----------------	--------------------	----	----	----------------------

nominal dimensions (AMP Junior timer)

Part no. straight interface					Part no. 90° elbow swivel interface				
	A	B	C	D		A	B	C	D
CI08-AM2	24.9	21.3	18	10	CI08-90-AM2	35.7	30.3	21.3	7
CI08-AM3	24.9	27.2	18	10	CI08-90-AM3	35.7	30.3	27.2	7
CI08-AM4	37	32	19	10	CI08-90-AM4	39.5	30.3	32	7
CI10-AM2	37	21	19	10	CI10-90-AM2	37.5	38	21.3	10
CI10-AM3	37	27	19	10	CI10-90-AM3	37.5	38	27.2	10
CI10-AM4	37	32	19	10	CI10-90-AM4	41.2	38	32	10
CI12-AM2	24.9	21.3	18	10	CI12-90-AM2	35.7	30.3	21.3	7
CI12-AM3	24.9	27.2	18	10	CI12-90-AM3	35.7	30.3	27.2	7
CI12-AM4	37	32	19	10	CI12-90-AM4	39.5	30.3	32	7

nominal dimensions (AMP Mini timer)

	A	B	C	D		A	B	C	D
CI12-X01	34	16.2	19.6	10	CI12-90-X01	37	30.3	19	10

note: dimensions are in mm



Description

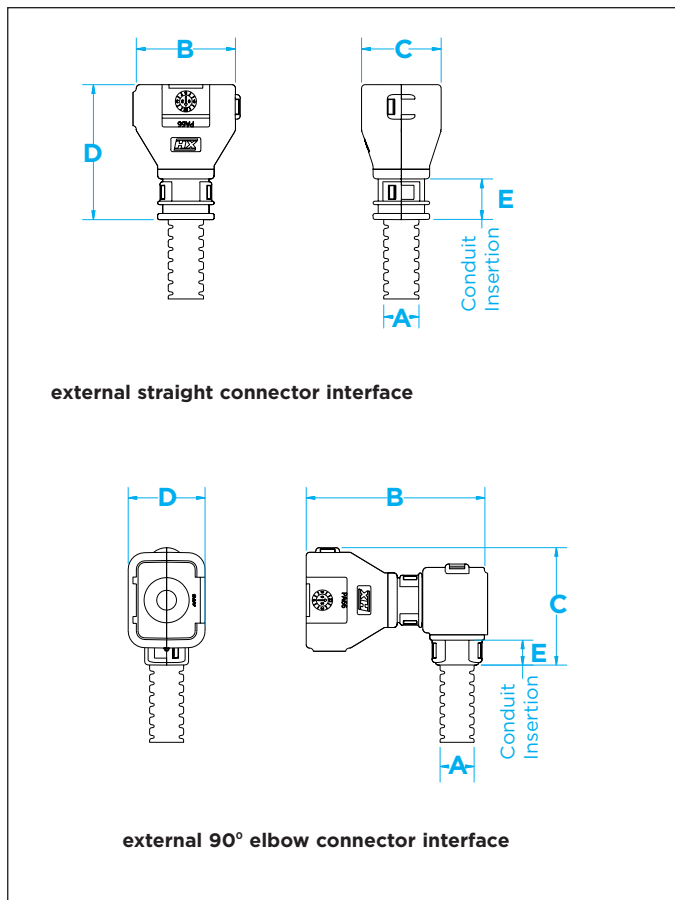
A range of straight and 90° elbow fittings offering a compact and high integrity connection between Ampseal automotive connectors and Harnessflex conduit systems.

These interfaces provide complete cable protection right up to the connector. They also provide strain relief and protection from high pressure washing, helping to maintain the sealing integrity of the connector.

The 90° elbow allows the conduit to swivel 360° around the connector housing, sufficient to avoid the problems associated with one-piece interfaces of over flexing due to movement or vibration.

These fittings are designed to snap together over all types of slit and unslit conduit thus maintaining maximum conduit bore.

external connector interface dimensions



nominal dimensions (Ampseal - Straight)

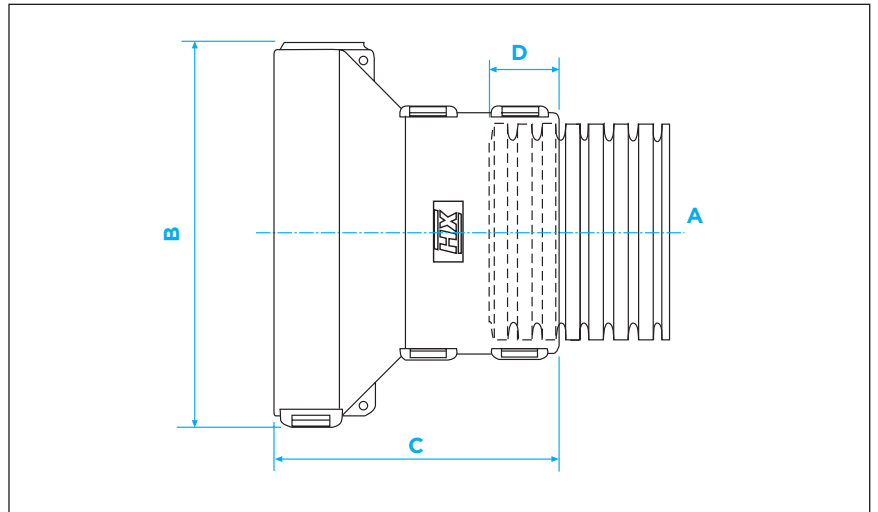
part no.	connector	conduit size	A	B	C	D	E
CI08-AT2PL	2 Way	NC08	23	18	34	12	
CI08-AT3PL	3 Way	NC08	28	18	33	11	
CI08-AT4PL	4 Way	NC08	29	23	39	13	
CI12-AT4PL	4 Way	NC12	29	23	37	11	
CI12-AT6PL	6 Way	NC12	29	23	37	11	
CI12-AT8PL	8 Way	NC12	32	23	37	11	
CI12-AT12PL	12 Way	NC12	41	23	37	11	
CI16-AT8PL	8 Way	NC16	32	23	37	11	
CI16-AT12PL	12 Way	NC16	41	23	37	11	
CI20-AT20PL	20 Way	NC20	41	23	48	12	

nominal dimensions (Ampseal - 90° elbow)

CI08-90-AT2PL	2 Way	NC08	49	32	20	7.1	
CI08-90-AT3PL	3 Way	NC08	49	34	20	7.1	
CI08-90-AT4PL	4 Way	NC08	53	34	23	7.1	
CI12-90-AT2PL	2 Way	NC12	49	32	20	7.1	
CI12-90-AT3PL	3 Way	NC12	49	34	20	7.1	
CI12-90-AT4PL	4 Way	NC12	53	35	23	7.1	

note: dimensions are in mm

AMP CPC interface dimensions



Description

Clip-on straight interfaces for AMP CPC 31 pole circular connectors.

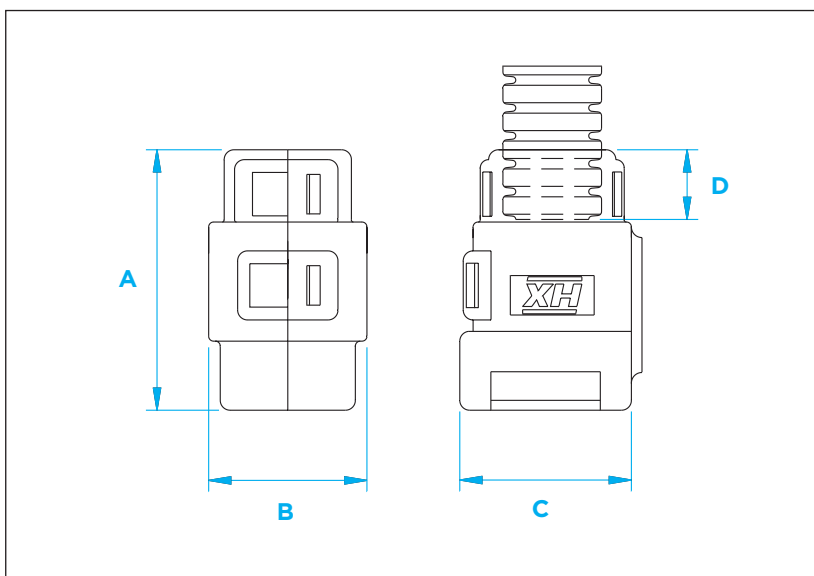
nominal dimensions

Part No.	conduit A		nominal dimensions		
	(NC)	(NW)	B	C	D
CI16-A31	16	13	62	45	10
CI20-A31	20	17	62	45	12
CI25-A31	25	22	62	45	13
CI32-A31	32	29	62	45	13

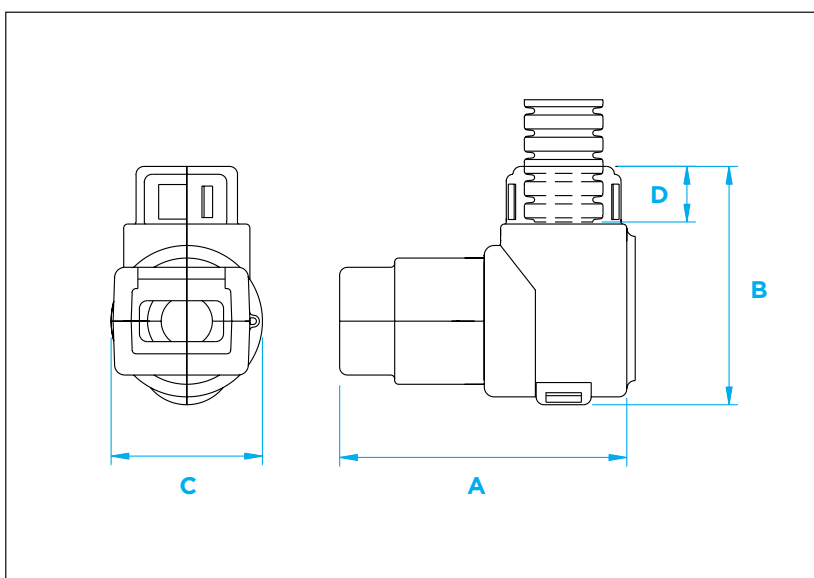
note: dimensions are in mm



**external connector interface dimensions
(straight connector)**



(90° connector)



Description

Single junction straight and 90° elbow fittings providing high integrity connections between Deutsch DT connectors and Harnessflex conduit systems.

These fittings are designed to snap together over all types of slit and unslit conduit thus maintaining maximum conduit bore.

In addition, 90° elbow versions allow the conduit to swivel 360° around the connector housing, sufficient to avoid the problems associated with one-piece interfaces of overflexing due to movement or vibration.

The functionality of a connector when attached to a Harnessflex Product depends on the application, installation and operational criteria determined by the user.



configurations/part numbers (DEUTSCH DT)

Part no. straight interface	Part no. 90° elbow swivel interface	conduct size		
		(NC)	(NW)	
CI08-DT2	CI08-90-DT2	08	7.5	2-way
CI08-DT3	CI08-90-DT3	08	7.5	3-way
CI08-DT4	CI08-90-DT4	08	7.5	4-way
CI08-DT6	CI08-90-DT6	08	7.5	6-way
CI12-DT2	CI12-90-DT2	12	10	2-way
CI12-DT3	CI12-90-DT3	12	10	3-way
CI12-DT4	CI12-90-DT4	12	10	4-way
CI12-DT6	CI12-90-DT6	12	10	6-way
CI12-DT8	CI12-90-DT8	12	10	8-way
-	CI12-90-DT12	12	10	12-way
-	CI16-90-DT8	16	13	8-way
CI16-DT12	CI16-90-DT12	16	13	12-way

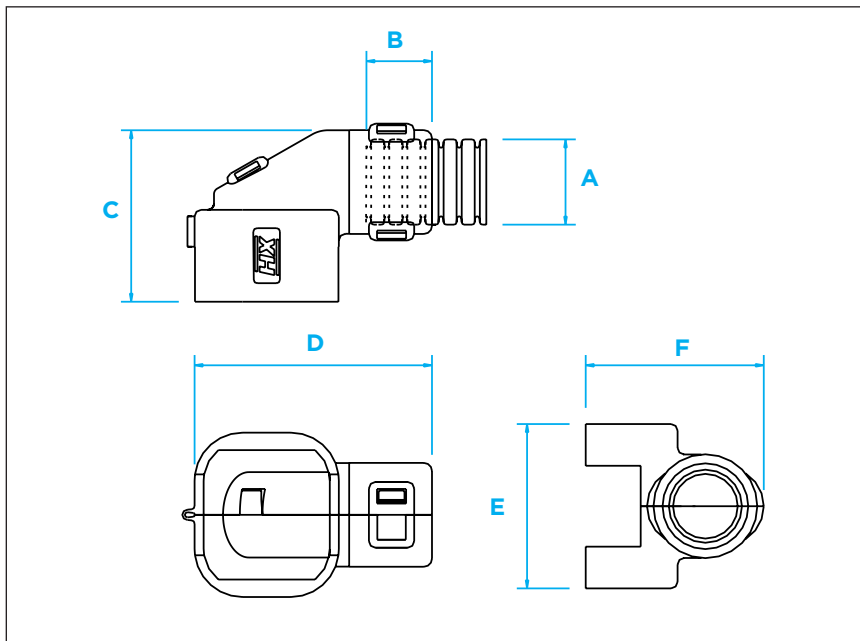
nominal dimensions (DEUTSCH DT)

Part no. straight interface	A	B	C	D	Part no. 90° elbow swivel interface	A	B	C	D
CI08-DT3	30	22	24	12	CI08-90-DT3	44	30	23	7
CI08-DT4	42	18	27	12	CI08-90-DT4	48	30	25	7
CI08-DT6	42	22	27	12	CI08-90-DT6	48	34	25	7
CI12-DT2	26	16	18	7	CI12-90-DT2	36	30	19	7
CI12-DT3	29	22	24	7	CI12-90-DT3	44	30	23	7
CI12-DT4	40	18	27	7	CI12-90-DT4	48	30	25	7
CI12-DT6	40	22	27	10	CI12-90-DT6	48	34	25	7
CI12-DT8	40	25	30	10	CI12-90-DT8	63	37	30	10
-	-	-	-	-	CI12-90-DT12	68	36	38	10
-	-	-	-	-	CI16-90-DT8	63	37	30	10
CI16-DT12	44	24	40	10	CI16-90-DT12	68	36	38	10

note: dimensions are in mm



Deutsch DTP04 interfaces



Description

Single compact 90° elbow fitting providing a dual orientation high integrity connection between the Deutsch DTP04 and Harnessflex conduit systems.

These fittings are designed to snap together over all types of slit and unslit conduit thus maintaining maximum conduit bore.

The 16-90-DTP04 adaptor will snap into the outlet of a 16mm hinged fitting including types 'Y' (YPS), 'T' (TPS), elbows (EPS) and joiners (JPS)

nominal dimensions (Deutsch DTP04)

Part Number	Conduit size A		Nominal Dimensions (mm)				
	(NC)	(NW)	B	C	D	E	F
CI12-90-DTP04	12	7.5	10	27	37	25	28
16-90-DTP04	-	-	-	27	35	25	27

note: dimensions are in mm

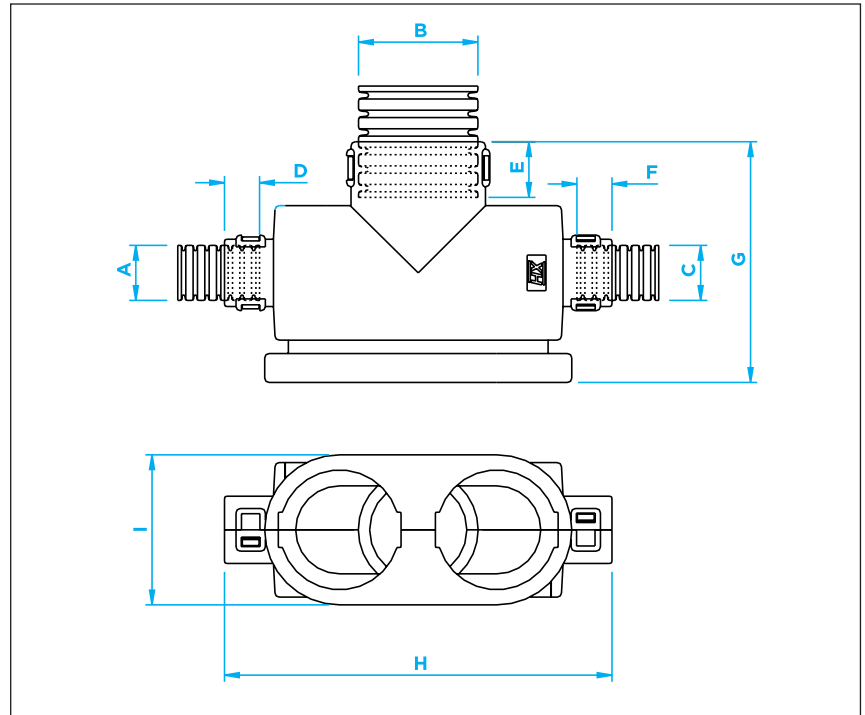


Description

Two identical half shells snap together onto the twin outlets of the Deutsch DRC50 interface giving a 3-way conduit fitting.

These fittings are designed to snap together over all types of slit and unslit conduit thus maintaining maximum conduit bore.

Deutsch DRC50 interfaces



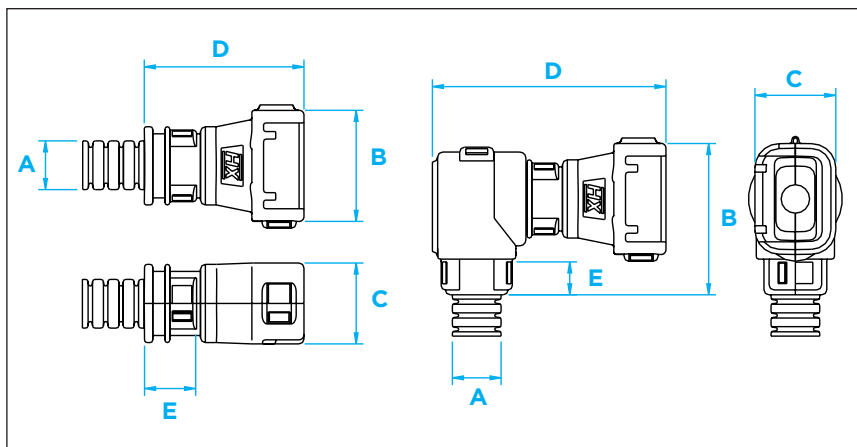
nominal dimensions (Deutsch DRC50)

	Conduit sizes (NC)			(NW)			Nominal Dimensions (mm)					
	A	B	C	A	B	C	D	E	F	G	H	I
CI121212-DRC50	12	12	12	10	10	10	8	8	8	50	92	36
CI122812-DRC50	12	28	12	10	23	10	8	10	8	58	92	36
CI201220-DRC50	20	12	20	17	10	17	10	8	10	50	92	36
CI202820-DRC50	20	28	20	17	23	17	10	10	10	58	92	36
CI251225-DRC50	25	12	25	22	10	22	10	8	10	50	92	36
CI252825-DRC50	25	28	25	22	23	22	10	10	10	58	92	36

note: dimensions are in mm



FCI Automotive Apex Interfaces



Description

Single junction, straight and 90° elbow fittings providing high integrity connections between FCI Apex connectors or Junior timer connectors and Harnessflex conduit systems.

These fittings are designed to snap together over all types of slit and unslit conduit thus maintaining maximum conduit bore.

In addition, 90° elbow versions allow the conduit to swivel 360° around the connector housing, sufficient to avoid the problems associated with one-piece interfaces of overflexing due to movement or vibration.

nominal dimensions (FCI) - Straight Interfaces

Part Number	Connector	Conduit size A (NC)	Nominal Dimensions (mm)				
			(NW)	B	C	D	E
CI08-FCI02	2 WAY	08	7.5	25	17	33	12
CI08-FCI03	3 WAY	08	7.5	34	17	34	12
CI08-FCI04	4 WAY	08	7.5	39	17	34	12
CI12-FCI02	2 WAY	12	10	25	17	27	7
CI12-FCI03	3 WAY	12	10	35	17	29	7
CI12-FCI04	4 WAY	12	10	38	17	29	7
CI12-FCI14	14 WAY	12	10	53	26	34	10
CI16-FCI14	14 WAY	16	13	53	26	59	10
16-FCI14	14 WAY	n/a	n/a	53	26	33	n/a
CI17-FCI10	10 WAY	17	n/a	39.2	25.5	44	10.6
CI25-FCI50	50 WAY	25	22	56	37	50.7	13

90° Elbow Swivel Interfaces

CI08-90-FCI02	2 WAY	08	7.5	31	19	48	10
CI08-90-FCI03	3 WAY	08	7.5	35	19	49	10
CI08-90-FCI04	4 WAY	08	7.5	38	19	49	10
CI12-90-FCI02	2 WAY	12	10	32	19	48	10
CI12-90-FCI03	3 WAY	12	10	37	19	49	10
CI12-90-FCI04	4 WAY	12	10	38	19	49	10
CI08-90-FCI14	14 WAY	08	7.5	38	24	57	10
CI12-90-FCI14	14 WAY	12	10	38	24	57	10
CI16-90-FCI14	14 WAY	16	13	38	24	57	10
CI08-90-FCS02	2 WAY SICMA	08	7.5	30	19	33	10

note: dimensions are in mm



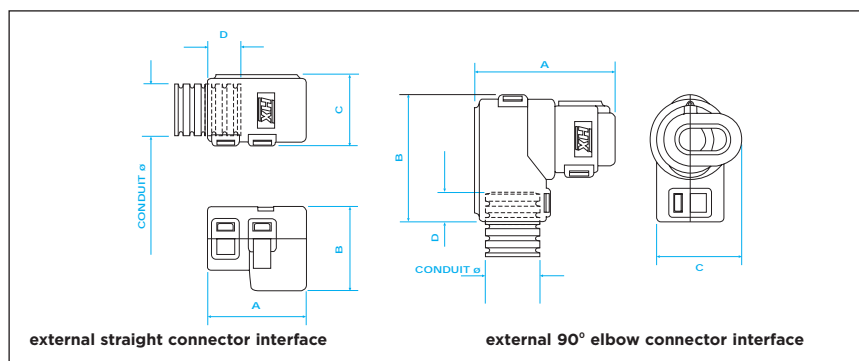
Description

Single junction, straight and 90° elbow fittings providing high integrity connections between various Bosch compact connectors and Harnessflex conduit systems.

These fittings are designed to snap together over all types of slit and unslit conduit thus maintaining maximum conduit bore.

In addition, 90° elbow versions allow the conduit to swivel 360° around the connector housing, sufficient to avoid the problems associated with one-piece interfaces of overflexing due to movement or vibration.

external connector interface dimensions



configurations/part numbers (BOSCH Compact)

Part no. straight interface	Part no. 90° elbow swivel interface	conduct size (NC)	conduct size (NW)	connector type
CI08-BC2	CI08-90-BC2	08	7.5	2-way
CI08-BC3	CI08-90-BC3	08	7.5	3-way
CI08-BC4	CI08-90-BC4	08	7.5	4-way
CI12-BC2	CI12-90-BC2	12	10	2-way
CI12-BC3	CI12-90-BC3	12	10	3-way
CI12-BC4	CI12-90-BC4	12	10	4-way
CI28-BC40	-	28	23	40-way

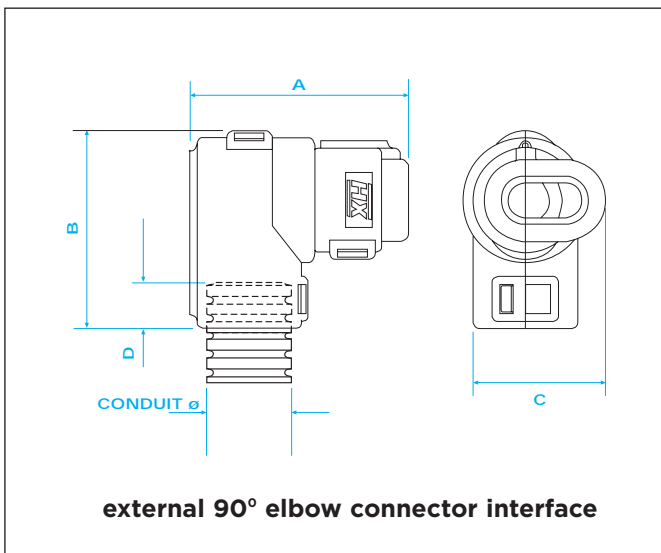
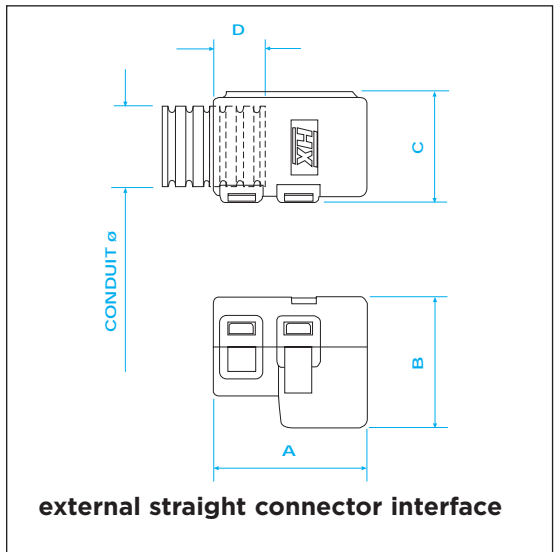
nominal dimensions (BOSCH Compact)

Part no. straight interface	Part no. 90° elbow swivel interface				Part no. straight interface	Part no. 90° elbow swivel interface			
	A	B	C	D		A	B	C	D
CI08-BC2	25	21.3	18	10	CI08-90-BC2	33.3	30.3	20.5	10
CI08-BC3	25	26.7	18	10	CI08-90-BC3	33.3	30.3	26.7	10
CI08-BC4	25	29	18	10	CI08-90-BC4	37	30.3	33	10
CI12-BC2	25	21.3	18	10	CI12-90-BC2	33.3	30.3	20.5	10
CI12-BC3	25	26.7	18	10	CI12-90-BC3	33.3	30.3	26.7	10
CI12-BC4	25	29	18	10	CI12-90-BC4	37	30.3	33	10
CI28-BC40	44.4	40	-	-	-	-	-	-	-

note: dimensions are in mm



external connector interface dimensions

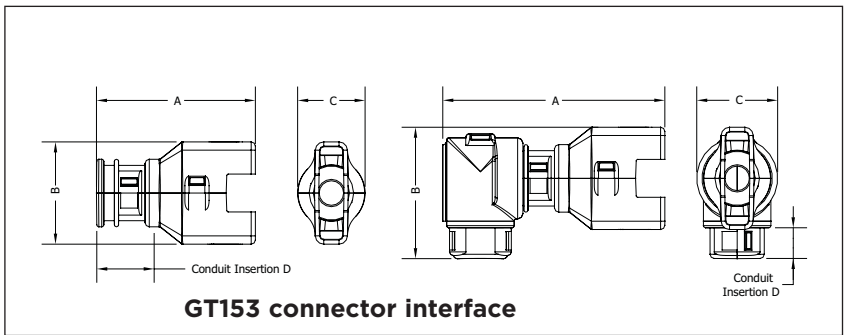


Description

Single junction, straight and 90° elbow fittings providing high integrity connections between various Delphi series connectors and Harnessflex conduit systems.

These fittings are designed to snap together over all types of slit and unslit conduit thus maintaining maximum conduit bore.

In addition, 90° elbow versions allow the conduit to swivel 360° around the connector housing, sufficient to avoid the problems associated with one-piece interfaces of overflexing due to movement or vibration.





configurations/part numbers (Delphi Metripack)

Part no. straight interface	Part no. 90° elbow swivel interface	conduct size (NC)	connector type (NW)	connector type
CI08-MP2	CI08-90-MP2	08	7.5	2-way
CI08-MP3	CI08-90-MP3	08	7.5	3-way
CI08-MMP2	CI08-90-MMP2	08	7.5	2-way
-	CI12-90-MP2	12	10	2-way
-	CI12-90-MP3	12	10	3-way
-	CI12-90-MMP3	12	10	2-way

configurations/part numbers (Delphi Weatherpack)

CI08-WP2	CI08-90-WP2	08	7.5	2-way
	CI12-90-WP2	12	10	2-way

configurations/part numbers (Power Timer)

CI08-PTD2	CI08-90-PTD2	08	7.5	2-way
	CI12-90-PTD2	12	10	2-way

note: dimensions are in mm

nominal dimensions (Delphi Metripack)

Part no. straight interface	A	B	C	D	Part no. 90° elbow swivel interface	A	B	C	D
CI08-MP2	20	16	28.9	12.3	CI08-90-MP2	20	42	29.5	7.3
CI08-MP3	43	20	28	10	CI08-90-MP3	56.9	30	20	10
CI08-MMP2	30	17	18	10	CI08-90-MMP2	45	30	19	7.3
-	-	-	-	-	CI12-90-MP2	20	42	30.5	7.3
-	-	-	-	-	CI12-90-MP3	56.9	31	20	10
-	-	-	-	-	CI12-90-MMP2	-	-	-	-

To suit DELPHI Metripack 12129615, 12110293 (when fitted with 12052845)
MMP2 to suit 12162852

note: dimensions are in mm

nominal dimensions (Delphi Weatherpack)

CI08-WP2	31.3	16.1	28.3	10	CI08-90-WP2	45.2	33.3	19.5	10
-	-	-	-	-	CI12-90-WP2	45.2	34.3	19.5	10

To suit DELPHI Weatherpack 12015792 (when fitted with 12052845)

nominal dimensions (Power Timer)

CI08-PTD2	20.2	20.5	18	14.7	CI08-90-PTD2	33.8	30	22	10
-	-	-	-	-	CI12-90-PTD2	33.8	21	22	10

note: dimensions are in mm.

nominal dimensions (GT150 Series)

CI08-GT153	38	24	16	10	CI08-90-GT153	53	31	19	7
-	-	-	-	-	CI12-90-GT153	53	32	19	10

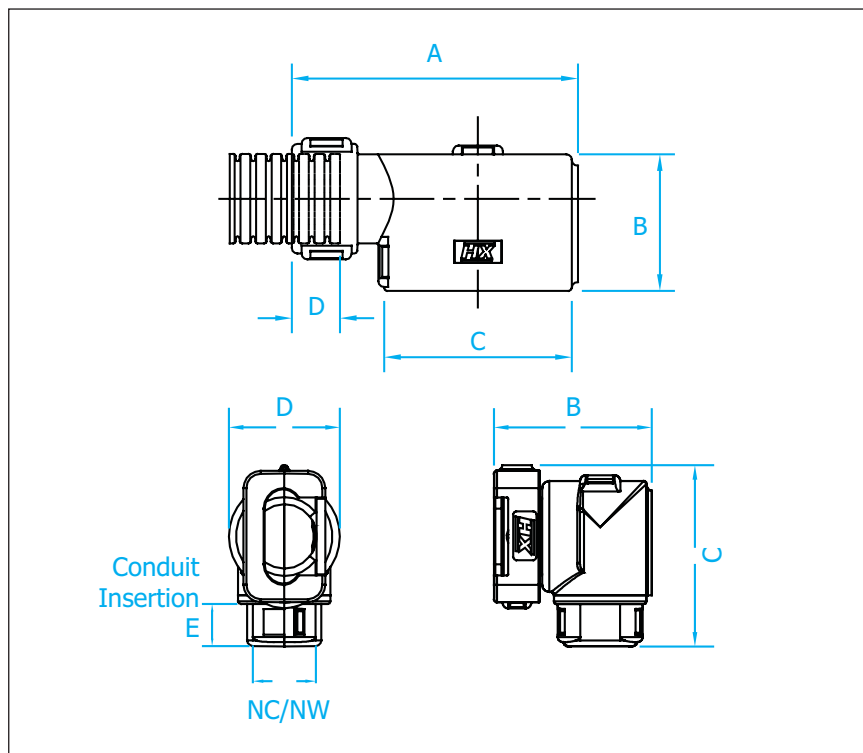
note: dimensions are in mm.



Description

Clip-on elbow interface for Kostal in-line connector.

external connector interface dimensions



configurations/part numbers (Kostal Interface)

Part no.	Part no.	conduct size (A)	
straight interface	90° elbow swivel interface	(NC)	(NW)
-	CI08-90-K2C	08	7.5
-	CI08-90-K3C	08	7.5
-	CI12-90-K2C	12	10
-	CI12-90-K3C	12	10
CI16-LK20	-	16	13

nominal dimensions (Kostal Interface)

Part no.	straight interface				Part no.	90° elbow swivel interface			
	A	B	C	D		B	C	D	E
-	-	-	-	-	CI08-90-K2C	27.4	30	19.5	10
-	-	-	-	-	CI08-90-K3C	27.4	31.4	19.5	10
-	-	-	-	-	CI12-90-K2C	27.4	31	19.5	10
-	-	-	-	-	CI12-90-K3C	27.4	32.4	19.5	10
CI16-LK20	51	28	34	10					

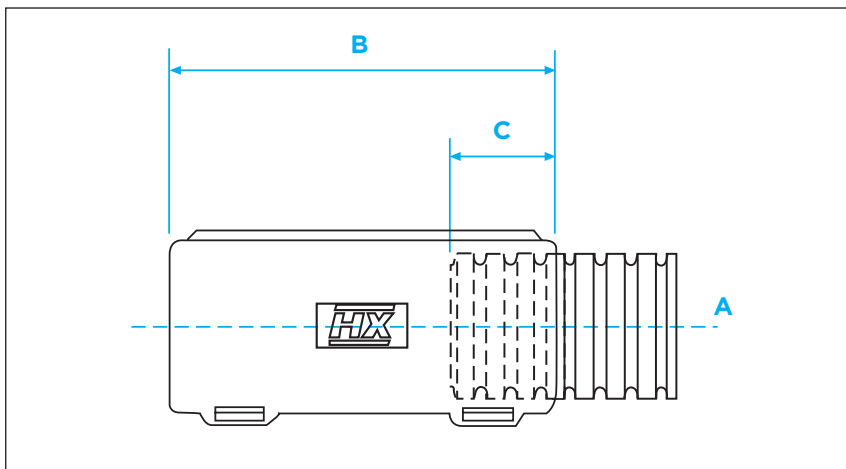
nominal dimensions (PG Thread LK20)

Part no.	Thread Type	Thread Length	A/F	I.D
PG21-LK20	PG21	12.2	37.8	22.6

note: dimensions are in mm.



external connector interface dimensions



Description

Clip-on straight interface for Millflex ABS connectors.

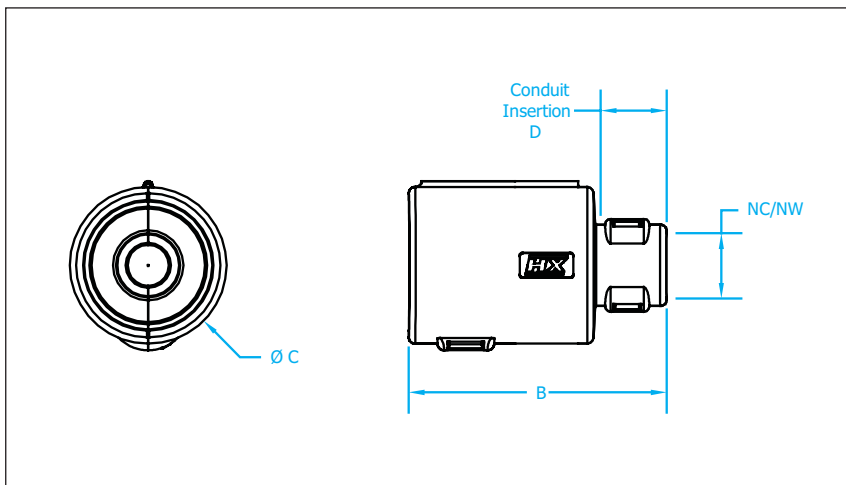
nominal dimensions

Part No.	conduit A		dimensions	
	(NC)	(NW)	B	C
CI08-MF2	8	7.5	35.6	10
CI10-MF2	10	8.5	35.6	10
CI12-MF2	12	10	35.6	10

note: dimensions are in mm



interface dimensions



Description

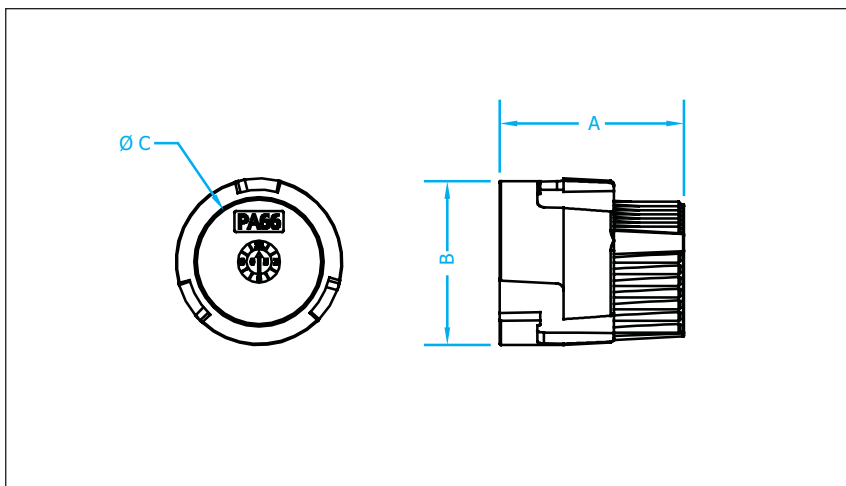
Circular interface to fit DIN 72585 STYLE connectors.

Connector is free to swivel after interface is installed.

nominal dimensions

Part No.	conduit size		dimensions		
	(NC)	(NW)	B	C	D
CI08-72585	08	7.5	40.9	24.9	10

note: Dimensions are in mm



Description

Plastic blanking plug to seal female DIN 72585 circular connectors.

Prevents the ingress of water/dust, during transport or harness storage.

Part No.	dimensions		
	A	B	C
BP72585	26.3	23.8	17.8

note: Dimensions are in mm



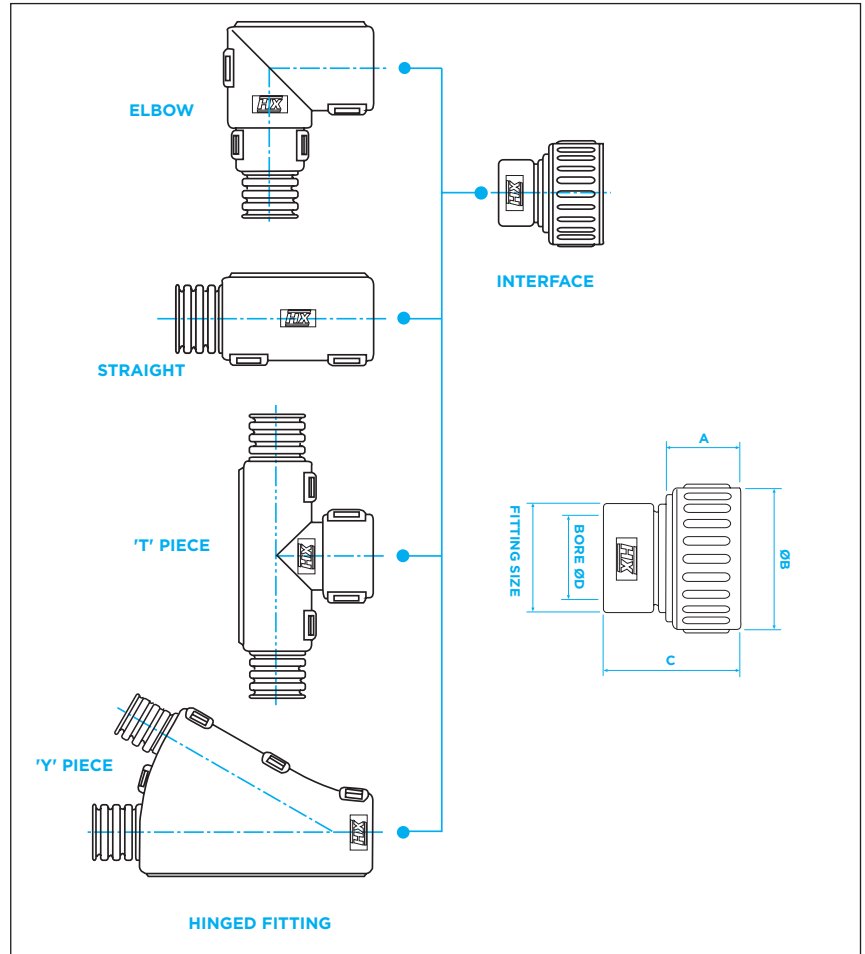
Description

Fitting provides connection between electrical circular connectors and hinged conduit system.

Due to the innovative design, the interface can freely rotate without any harness movement.

These fittings are designed to snap together over all types of slit and unslit conduit thus maintaining maximum conduit bore.

interface for circular connector configurations



hinged fitting

interface body	shell size	fitting size (NC) (NW)		thread size
NEPA14-16	14	16	13	13/16"-20 UNEF
NEPA16-20	16	20	17	15/16"-20 UNEF
NEPA24-28	24	28	23	1 7/16"-18 UNEF
CI20-CCU100	18/16	20	17	1"-20 UNEF
CI20-CCU119	18/16	20	17	1 3/16"-18 UNEF
CI28-CCU131	24	28	23	1 5/16"-18 UNEF
CI28-CCU138	24	28	23	1 3/8"-18 UNEF

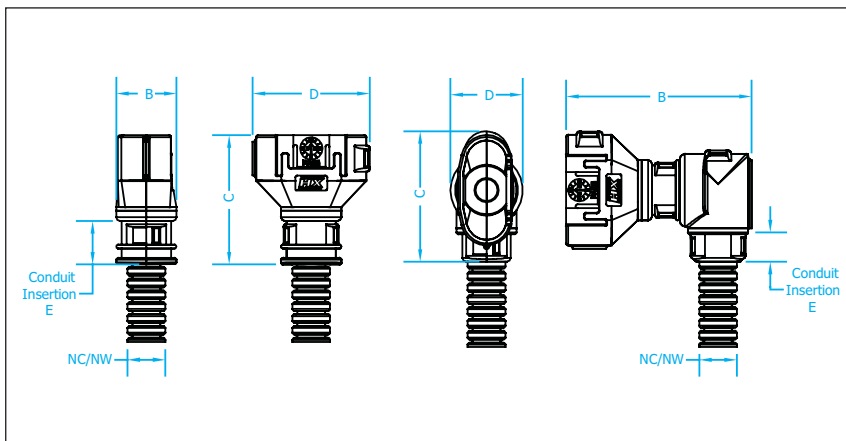
interface for circular connector dimensions

interface body	shell size	fitting size (NC) (NW)		A	B	C	D
NEPA14-16	14	16	13	14.4	25.3	25.0	12.5
NEPA16-20	16	20	17	14.4	30.0	26.3	16.4
NEPA24-28	24	28	23	17.0	42.0	29.8	22.8
CI20-CCU100	18/16	20	17	11	30.0	26.0	16.4
CI20-CCU119	18/16	20	17	11	33.0	26.0	16.5
CI28-CCU131	24	28	23	13	41.5	30.0	22.8
CI28-CCU138	24	28	23	13	41.5	30.0	22.8

note: dimensions are in mm



interface dimensions



Description

Single junction, straight and 90° elbow fittings providing high integrity connections between Sumitomo connectors and Harnessflex conduit systems.

These fittings are designed to snap together over all types of slit and unslit conduit thus maintaining maximum conduit bore.

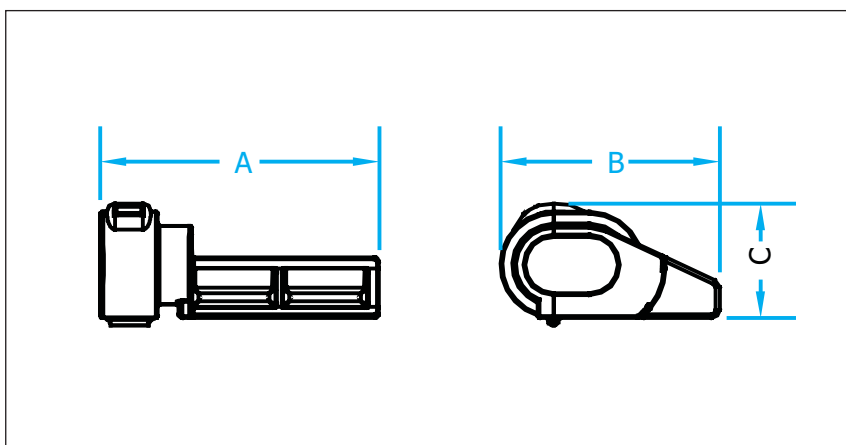
In addition, 90° elbow versions allow the conduit to swivel 360° around the connector housing, sufficient to avoid the problems associated with one-piece interfaces of overflexing due to movement or vibration.

nominal dimensions

Sumitomo 4 way

Part No.	conduit size		dimensions			
	(NC)	(NW)	B	C	D	E
CI08-SU4	08	7.5	16.2	29.4	35.0	12.3
CI08-90-SU4	08	7.5	48.2	19.6	34.4	7.3

note: 180° versions are available. Dimensions are in mm



Description

Clip on inhibitor for 2 way icostal interface, to provide easy and correct harness installation.

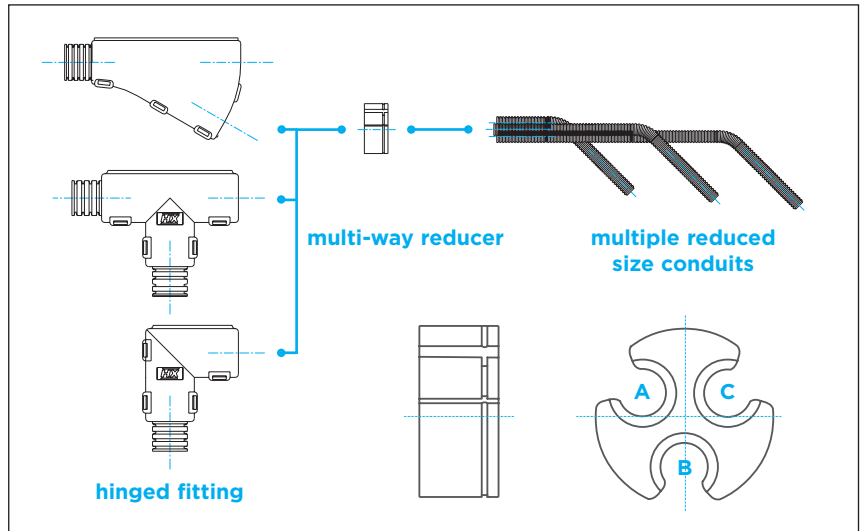
nominal dimensions

Kostal inhibitor

Part No.	conduit size		dimensions		
	(NC)	(NW)	A	B	C
K2I-LH	n/a	n/a	35.3	27.7	15.4

note: Dimensions are in mm

multi-way reducer configurations



Description

One-piece, multi-way breakout inserts providing reducing options to a variety of conduit sizes from a single hinged fitting junction.

These reducers can accommodate all types of slit and unslit conduit and may be used with all Harnessflex hinged fittings.

configuration/part numbers

from conduit size (NC)	from conduit size (NW)	to conduit sizes (NC)				to conduit sizes (NW)				multi-way reducer
		A	B	C	D	A	B	C	D	
20	17	08	08	-	-	7.5	7.5	-	-	ST20-2x08
20	17	12	-	-	-	10	-	-	-	ST20-12
25	22	08	08	08	-	7.5	7.5	7.5	-	STN25-3x08
25	22	12	08	-	-	10	-	-	-	ST25-12
25	22	12	08	-	-	10	7.5	-	-	ST25-1208
28	23	08	08	08	08	7.5	7.5	7.5	7.5	ST28-4x08

note: Dimensions are in mm



PA 6,6
(Polyamide 6,6)

PA 6,6 (30% GF)
(Polyamide 6,6 30%
glass filled)

Fitting Material data			
Static temp. (°C)	Min	-40	-40
	Max	120	120
Melting point (°C)		255	275
UV Resistance		■■■■■	■■■■■
Impact Strength		■■■■□	■■■■■
External Wear Resistance		■■■■■	■■■■■
Flammability (UL 94 rating)		V2	HB
Self Extinguishing		✓	✓
Halogen Free		✓	✓

Chemical Resistance	IRM 903 (ASTM Oil No.2)	S	S
	Diesel Oil	S	S
	Ethylene Glycol (Anti-freeze)	S	S
	Lubricating Oil	S	S
	Methyl Alcohol	L	L
	Parafin Oil	S	S
	Petrol	S	S
	Sodium Chloride	S	S
	Sodium Hydroxide (10%)	L	L
	Transformer Oil	S	S
	Urea	S	S
	Vegetable Oil	S	S
	Sea (Water)	S	S

Cross Reference AWG Size / metric size (mm²)

AWG	mm ²
6/0	170.3
5/0	135.1
4/0	107.2
3/0	85
2/0	67.5
0	53.4
1	42.4
2	33.6
3	26.7
4	21.2
5	16.8
6	13.3
7	10.6
8	8.35
9	6.62
10	5.27
11	4.15
12	3.31
13	2.63
14	2.08
15	1.65
16	1.31
17	1.04
18	0.823
19	0.653
20	0.519
21	0.412
22	0.325
23	0.259
24	0.205
25	0.163
26	0.128
27	0.102
28	0.0804
29	0.0646
30	0.0503
31	0.0400
32	0.0320
33	0.0252
34	0.0200
35	0.0161
36	0.0123
37	0.0100
38	0.00795
39	0.00632

Key: S = Suitable, L = Limited Suitability, U = Unsustainable, NT = Not Tested. All chemicals tested for resistance at 33°C.
Maximum Performance = ■■■■