

Introduction



Tyco Electronics' Econoseal III sealed connector range has been designed to meet the exacting requirements of the automotive industry, for a reliable sealed connector.

Three series of connectors have been developed:

- High current wire-to-wire
- Low current wire-to-wire and
- Low current wire-to-board.

Each series offers a choice of housing ways, polarized mating, discrete cable sealing and contact secondary locking, plus a choice of hand or machine tooling for simple termination.

All connectors are designed to be used with thin walled non-irradiated PVC cables. For other cable types please contact Tyco Electronics.

Though designed initially for automotive applications the Econoseal III interconnection range can be used in any industry where a reliable sealed connector is needed.

.070 Series (1.8 mm)

Low current wire-to-wire and wire-to-board connectors accept a cable range from 0.5 up to 2.0 mm², current rating up to 10 A.

.250 Series (6.3 mm)

High current wire-to-wire connectors accept a cable range from 0.5 up to 3.0 mm², current rating up to 20 A.

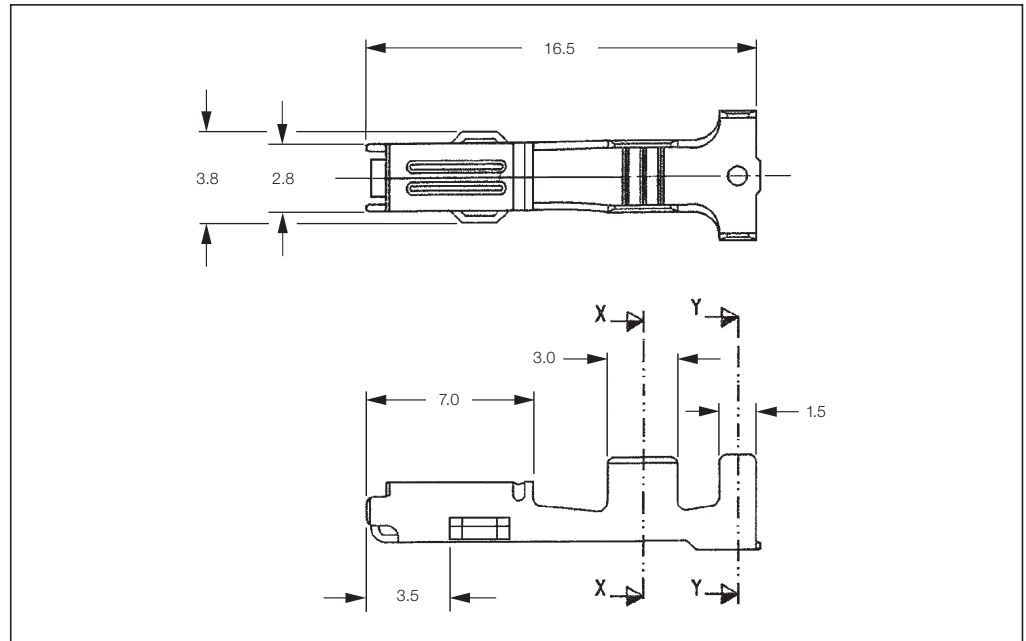
Receptacle Contacts

Technical Features

Low Current Wire-to-Wire Connectors .070 Series (1.8 mm)

- Free-hanging
- .070 Series (1.8 mm) blade and receptacle
- 2-, 3-, 4-, 6- and 13-positions
- Wire Size Range: from 0.5 up to 2.0 mm²
- Contact Rating: up to 10 A constant
- Lanceless contact system
- Inertia locking

Application Specification:
114-3040



Receptacle Contacts

Wire Size Range	Insulation Diameter FLK	Insulation Diameter FLR	Material and Finish	Part Numbers				Applicator ♦	Hand Tool
				Strip Form	Package Quantity	Loose-Piece	Package Quantity		
0.2-0.5 (24-20)	1.6-1.8 (.062-.070)	-	Copper alloy, tin plated	345808-1	6,000	345949-1	1,000	541515	525317-6*
0.75-1.00 (18-17)	1.85-2.10 (.073-.083)	-	Copper alloy, tin plated	345806-1	6,000	345150-1	1,000	878533	525317-2*
1.5-2.0 (15-14)	2.3-2.7 (.091-.106)	-	Copper alloy, tin plated	345806-1	6,000	345150-1	1,000	878533	525317-4*
0.5-2.0 (20-14)	1.6-2.7 (.062-.106)	-	CuSn, gold plated	344113-1**	6,000	-	-	878533	-

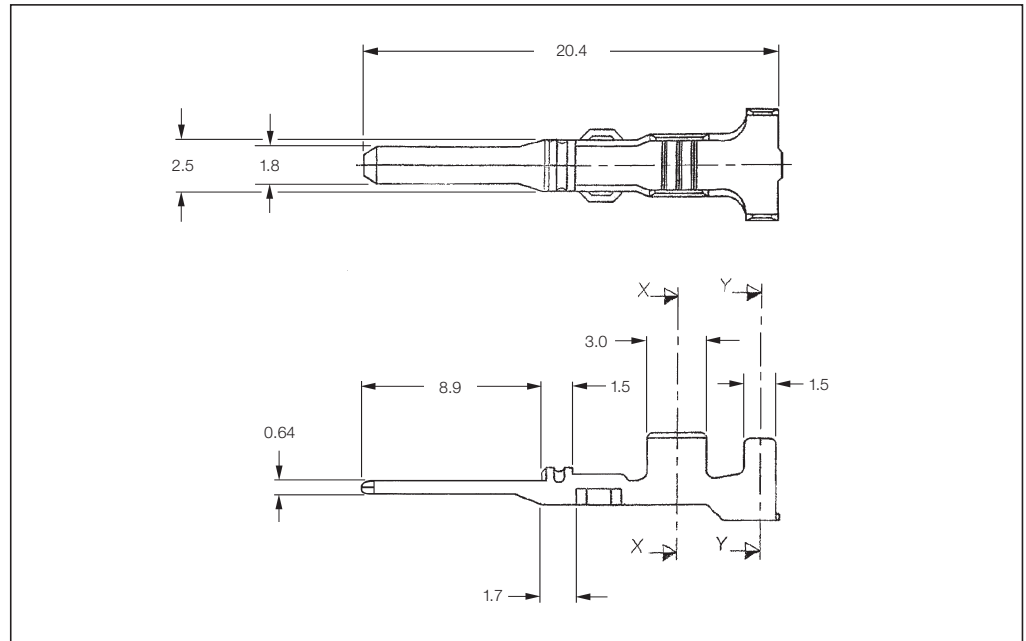
♦) Applicators are application specific, consult Tyco Electronics for details.

*) Wire crimp form = F, Insulation crimp form = O, Other crimp forms see Product Specification

***) For 16 and 36 positions receptacle housing

Tab Contacts / Single Wire Seals and Cavity Plugs

**Tab Contacts,
Mates with
Receptacle Contacts
.070 Series**



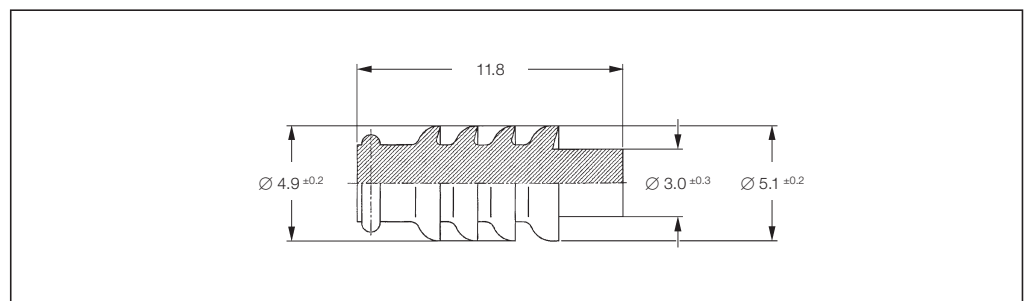
Tab Contacts

Wire Size Range	Insulation Diameter FLK	Insulation Diameter FLR	Material and Finish	Part Numbers				Applicator ♦	Hand Tool
				Strip Form	Package Quantity	Loose-Piece	Package Quantity		
0.5 (20)	1.6-1.8 (.062-.070)	-	Copper alloy, tin plated	345809-1	6,000	345951-1	2,000	878900	525317-6*
0.75-1.00 (18-17)	1.85-2.10 (.073-.083)	-	Copper alloy, tin plated	345807-1	6,000	345148-1	2,000	878532	525317-2*
1.5-2.0 (15-14)	2.3-2.7 (.091-.106)	-	Copper alloy, tin plated	345807-1	6,000	345148-1	2,000	878532	525317-4*

- ♦) Applicators are application specific, consult Tyco Electronics for details.
- *) Wire crimp form = F, Insulation crimp form = O, Other crimp forms see Product Specification.

Single Wire Seals and Cavity Plugs for Series .070 (1.8 mm)

Application Specification:
108-3069



Insulation Diameter		Color	Part Number	Package Quantity
(mm)	(Inch)			
1.6-2.4	(.062-.095)	Black	345791-1	5,000
		Cavity Plug	172748-1	1,000
2.4 min. - 2.7 max.	(.095-.106)	Grey	172888-2	5,000
		Cavity Plug	172748-2	1,000

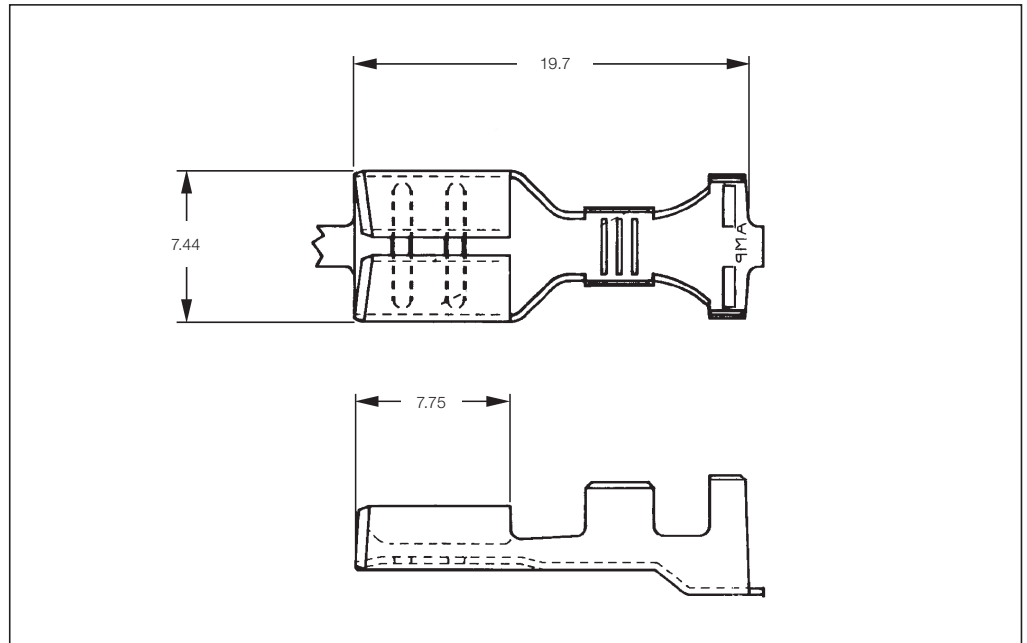
Receptacle Contacts

Technical Features

High Current Wire-to-Wire Connectors .250 Series (6.3 mm)

- Free hanging
- .250 Series (6.3 mm) FASTON blade and receptacle
- 2-, 4- and 8-positions
- Wire Size Range: from 0.5 to 3.0 mm²
- Contact Rating: up to 20 A constant
- Lanceless contact system
- Inertia Locking

Application Specification:
114-3036



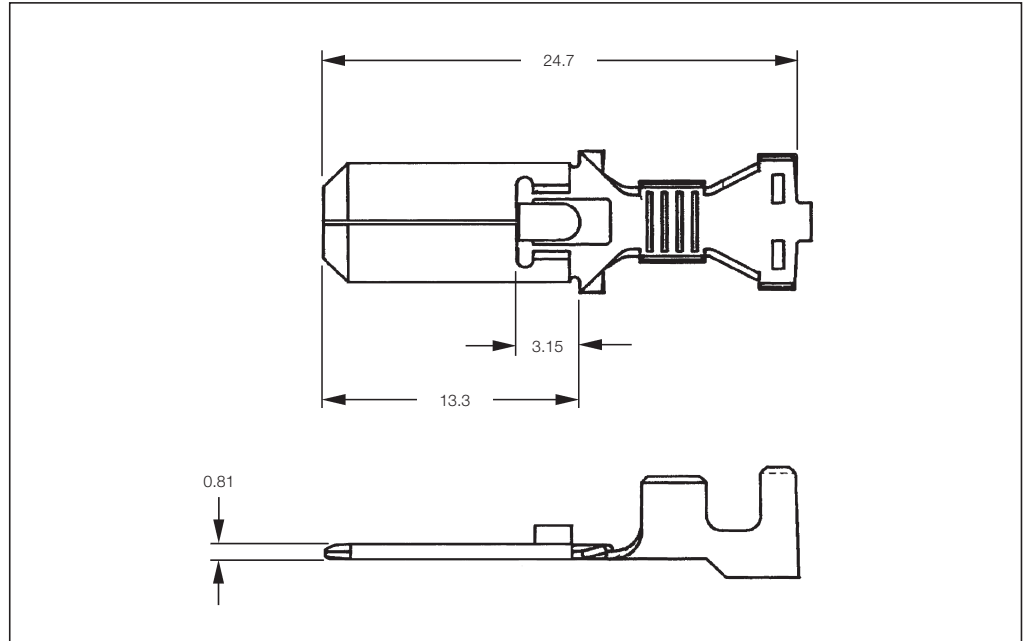
Receptacle Contacts

Wire Size Range	Insulation Diameter		Material and Finish	Part Numbers				Applicator ♦	Hand Tool
	FLK	FLR		Strip Form	Package Quantity	Loose-Piece	Package Quantity		
mm ² (AWG)	mm (Inch)	mm (Inch)							
0.5-1.5 (20-15)	1.6-2.4 (.062-.095)	-	CuZn, pre-tin plated	344070-1	3,000	344995-1	1,000	541621	525316-4
2.0-3.0 (14-12)	2.6-3.4 (.102-.134)	-	CuZn, pre-tin plated	344009-1	3,000	344993-1	1,000	541731	525316-2

♦) Applicators are application specific, consult Tyco Electronics for details.

Tab Contacts / Single Wire Seals and Cavity Plugs

**Tab Contact,
Mates with
Receptacle Contacts
.250 Series**

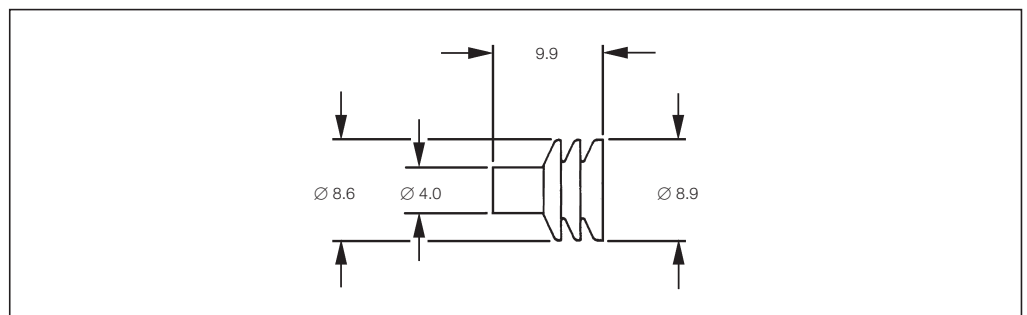


Tab Contacts

Wire Size Range	Insulation Diameter FLK	Insulation Diameter FLR	Material and Finish	Part Numbers				Applicator ♦	Hand Tool
				Strip Form	Package Quantity	Loose-Piece	Package Quantity		
0.5–1.5 (20–15)	1.6–2.4 (.062–.095)	–	CuZn, pre-tin plated	344069-1	3,000	344991-1	1,000	–	525316-3
2.0–3.0 (14–12)	2.6–3.4 (.102–.134)	–	CuZn, pre-tin plated	344008-1	3,000	344989-1	1,000	1529135	525316-1

♦) Applicators are application specific, consult Tyco Electronics for details.

**Single Wire Seals
and Cavity Plugs
for Series .250 (6.3 mm)**



Application Specification:
108-3069

Insulation Diameter		Color	Part Number	Package Quantity
(mm)	(Inch)			
1.6–2.4	(.062–.095)	Black	344095-1	500
		Black	172749-1	500
		Grey	172749-2	500
2.6–3.4	(.102–.134)	Black	172747-1	1,000
		Black	172749-1	500
		Grey	172749-2	500

Engineering Notes

