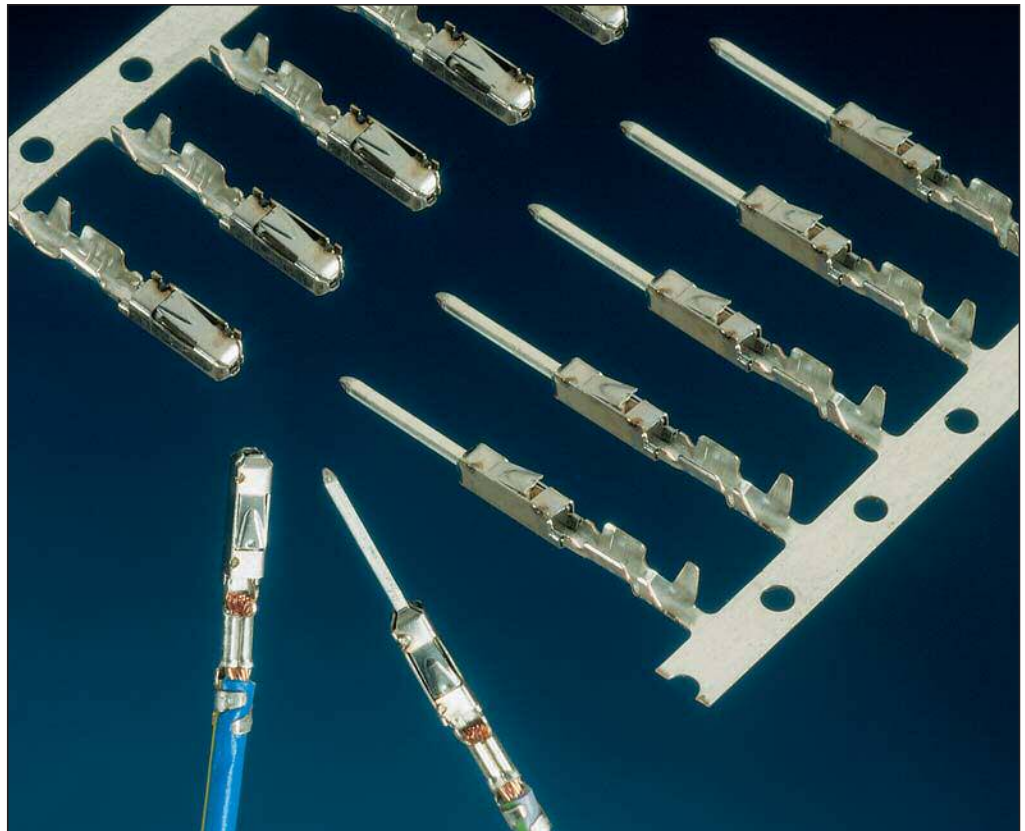


Introduction



With the design of the Micro Quadlok System (MQS) in the centerline 2.54 mm, we developed a new automobile suitable contact system. The positive features of existing contact systems – high packing density and at the same time high load of current carrying capacity, robust design and safe handling – were consistently implemented. Consequently, the receptacle contact and pin contact are able to be inserted safely into the contact cavity and latch in with a clear click.

The receptacle contacts with four contact points on a 0.63 x 0.63 mm pin contact and reaches at this point a max. load of current carrying capacity of up to 7.5 A at 80 °C.

Based on the plug uniform base centerline of 2.54 mm, the Quadlok system ranges from Micro Quadlok and Micro Power Quadlok to Power Quadlok which can be subjected to more stress. With the whole number multiplication of the centerline from 2.54 mm, the circuit board designer achieves a high level of freedom on designing the layout.

The contact design is based on the proven separation of the protection and stop function on one hand which is taken over by the enclosed cantilever spring. The electrical and electro-mechanical characteristics on the other hand, are secured by the inner contact body.

By this means of task sharing, the implemented contact material can be applied usage specifically and optimally.

The system as a whole is, by this means, protected for a long time against fatigue under vibration and mechanical load.

During the development of the Quadlok contact, strict attention was paid that the locking points of the second contact locking are each found at the same level.

Receptacle Contacts

Technical Features

Material

Contact: CuNiSi
Pin Contact: Copper-Alloy
Cantilever Spring: Stainless Steel

Contact Finish:

Pre-tin plated, silver plated,
gold plated

Conductor Binding:

Crimp Technology/Insulation
Displacement/FFC/Welding Area

Wire Size Range:

0.14–0.75 mm² Single
Wires (FLR)/AWG 18–22

Current Carrying Capacity:

Up to 7.5 A at 80 °C

Temperature Range:

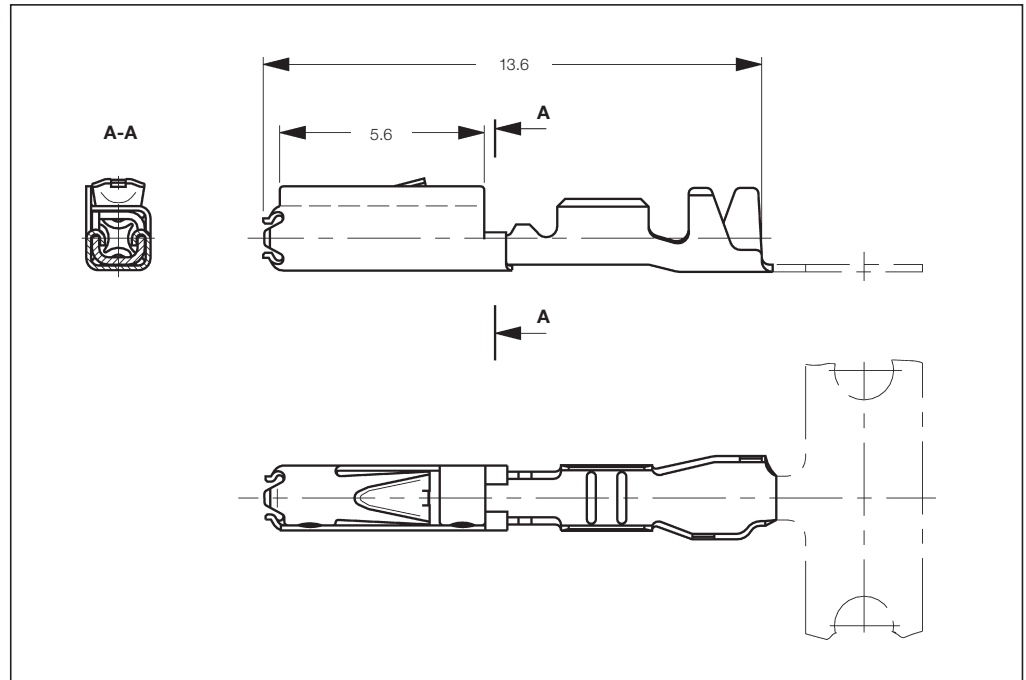
–40 °C ... +120 °C (tin plated)
–40 °C ... +130 °C (silver plated)
–40 °C ... +140 °C (gold plated)

Centerline:

2.54 x 2.54 mm Standard
4.0 x 4.0 mm SWS Standard
4.0 x 3.5 mm SWS Staggered

Mating Cycles:

20 tin plated
20 silver plated
100 gold plated



Special Applications:

Inmoldable Pin Contact,
Insulation Displacement
Receptacle Contact,
Receptacle Contact with
Short Circuit Area

Table Drawings:

929454 (Receptacle Contact)
929453 (Pin Contact)

Application Specification:

114-18021 Standard
114-18025 SWS System

Product Specification:

108-18030

Extraction Tools:

Part No. **6-1579007-0** Clean Body
Part No. **6-1579007-1** Standard or
Part No. **1355968-1**

Standard Receptacle Contacts

Wire Size Range (mm ²)	Insulation Diameter		Material and Finish	Part Numbers				Applicator		Hand Tool 539635-1 with Die Set
	FLK (mm)	FLR (mm)		Strip Form	Package Quantity	Loose-Piece	Package Quantity	Standard	Fine Adjust	
0.14–0.22	–	0.9–1.2	pre-tin plated	1355717-1	13,000	1355718-1	500	1426402	1528009	5-1579001-2
			gold plated	1355717-5	13,000	1355718-5	500			
0.20–0.50	–	0.9–1.6	pre-tin plated	928999-1	13,000	963726-1	1,000	1238043*	1528035*	539682-2
			gold plated	928999-5	13,000	963726-5	1,000			
			silver plated	928999-6	13,000	963726-6	1,000			
0.50–0.75	–	1.4–1.9	pre-tin plated	963715-1	10,000	963729-1	500	1238051	1528037	3-1579001-5
			gold plated	963715-5	10,000	963729-5	500			
			silver plated	963715-6	10,000	963729-6	500			

*) **Applicator:** Part No. **1426459** and **1528313** for use with 0.2 mm² wire

Single Wire Sealing System

Wire Size Range (mm ²)	Insulation Diameter		Material and Finish	Part Numbers				Applicator		Hand Tool 539635-1 with Die Set
	FLK (mm)	FLR (mm)		Strip Form	Package Quantity	Loose-Piece	Package Quantity	Standard	Fine Adjust	
0.20–0.50	–	0.9–1.6	pre-tin plated	962885-1	9,000	963727-1	500	1426108	1528022	539685-2
			gold plated	962885-5	9,000	963727-5	500			
			silver plated	962885-6	9,000	963727-6	500			
0.50–0.75	–	1.4–1.9	pre-tin plated	965906-1	9,000	965907-1	500	1426123	1528071	5-1579001-1
			gold plated	965906-5	9,000	965907-5	500			
			silver plated	965906-6	9,000	965907-6	500			

Receptacle Contacts (continued)

MQS Receptacle Contacts with Short Circuit Area

Wire Size Range (mm ²)	Insulation Diameter		Material and Finish	Part Numbers						
	FLK (mm)	FLR (mm)		Strip Form	Package Quantity	Loose-Piece	Package Quantity	Applicator		Hand Tool 539635-1 with Die Set
								Standard	Fine Adjust	
0.20-0.50	-	0.9-1.6	gold plated	968893-1	13,000	1355988-1	500	1238043*	1528035*	539682-2
0.50-0.75	-	1.4-1.9	gold plated	1452013-1	10,000	1452014-1	500	1238051	1528037	3-1579001-5

*) Applicator: Part No. **1426459** and **1528313** for use with 0.2 mm² wire

MQS Clean Body Receptacle Contacts with Short Circuit Area

Wire Size Range (mm ²)	Insulation Diameter		Material and Finish	Part Numbers						
	FLK (mm)	FLR (mm)		Strip Form	Package Quantity	Loose-Piece	Package Quantity	Applicator		Hand Tool 539635-1 with Die Set
								Standard	Fine Adjust	
0.20-0.50	-	0.9-1.6	gold plated	1241918-1	13,000	1241919-1	500	1238043*	1528035*	3-1579001-5
0.50-0.75	-	1.4-1.9	gold plated	1241920-1	10,000	1241921-1	500	1238051	1528037	3-1579001-5

*) Applicator: Part No. **1426459** and **1528313** for use with 0.2 mm² wire

MQS Clean Body Receptacle Contacts

Wire Size Range (mm ²)	Insulation Diameter		Material and Finish	Part Numbers						
	FLK (mm)	FLR (mm)		Strip Form	Package Quantity	Loose-Piece	Package Quantity	Applicator		Hand Tool 539635-1 with Die Set
								Standard	Fine Adjust	
0.20-0.50	-	0.9-1.6	pre-tin plated	968220-1	12,000	968220-7	500	1238043*	1528035*	539682-2
			gold plated	968220-5	12,000	968220-8	500			
			silver plated	968220-6	12,000	968220-9	-			
0.50-0.75	-	1.4-1.9	pre-tin plated	968221-1	10,000	968221-7	500	1238051	1528037	3-1579001-5
			gold plated	968221-5	10,000	968221-8	500			
			silver plated	968221-6	10,000	968221-9	-			

*) Applicator: Part No. **1426459** and **1528313** for use with 0.2 mm² wire

MQS Flexible Flat Cable (FFC) Receptacle Contacts

Wire Size Range* (mm ²)	Insulation Diameter*		Material and Finish	Part Numbers						
	FLK (mm)	FLR (mm)		Strip Form	Package Quantity	Loose-Piece	Package Quantity	Applicator		Hand Tool
								Standard	Fine Adjust	
-	-	-	pre-tin plated	929387-1	12,500	929388-1	500	-	-	-
-	-	-	pre-tin plated	968987-1**	14,000	968988-1	500	-	-	-

*) Depending on Foil
**) Special Application: Short Components

Insertion and Extraction Tools are available upon request.
They depends on the number of positions and the housing version.

MQS Insulation Displacement Connection (IDC) Receptacle Contacts

Wire Size Range (mm ²)	Insulation Diameter		Material and Finish	Part Numbers						
	FLK (mm)	FLR (mm)		Strip Form	Package Quantity	Loose-Piece	Package Quantity	Applicator		Hand Tool
								Standard	Fine Adjust	
0.35-0.50	-	1.2-1.6	pre-tin plated	968065-1	10,000	-	-	-	-	-

Receptacle Contacts (continued)

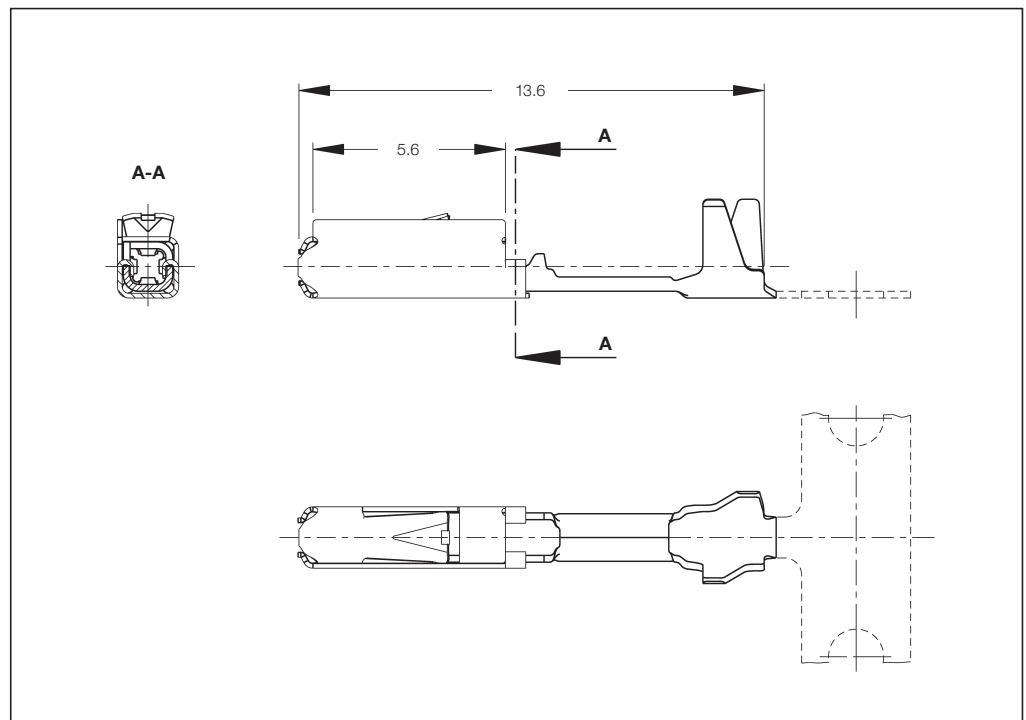
MQS Clean Body Receptacle Contacts with Single Wire Sealing System

Wire Size Range		Insulation Diameter (mm)	Material and Finish	Part Numbers				Applicator	Hand Tool
(mm ²)	(AWG)			Strip Form	Package Quantity	Loose-Piece	Package Quantity		
0.50-0.75	-	1.4-2.0	pre-tin plated	1703032-1	8,500	1703033-1	-	-	-
			gold plated	1703032-5	8,500	1703033-5	-		

MQS Clean Body Receptacle Contacts for AWG

Wire Size Range		Insulation Diameter (mm)	Material and Finish	Part Numbers				Applicator	Hand Tool
(mm ²)	(AWG)			Strip Form	Package Quantity	Loose-Piece	Package Quantity		
0.79-1.00	18	1.4-2.0	pre-tin plated	1719532-1	10,000	1719533-1	-	1528929	-
			gold plated	1719532-5	10,000	1719533-5	-		
0.32-0.52	20+22	1.50-1.85	pre-tin plated	1719545-1	10,000	-	-	-	-
			gold plated	1719545-5	10,000	-	-		

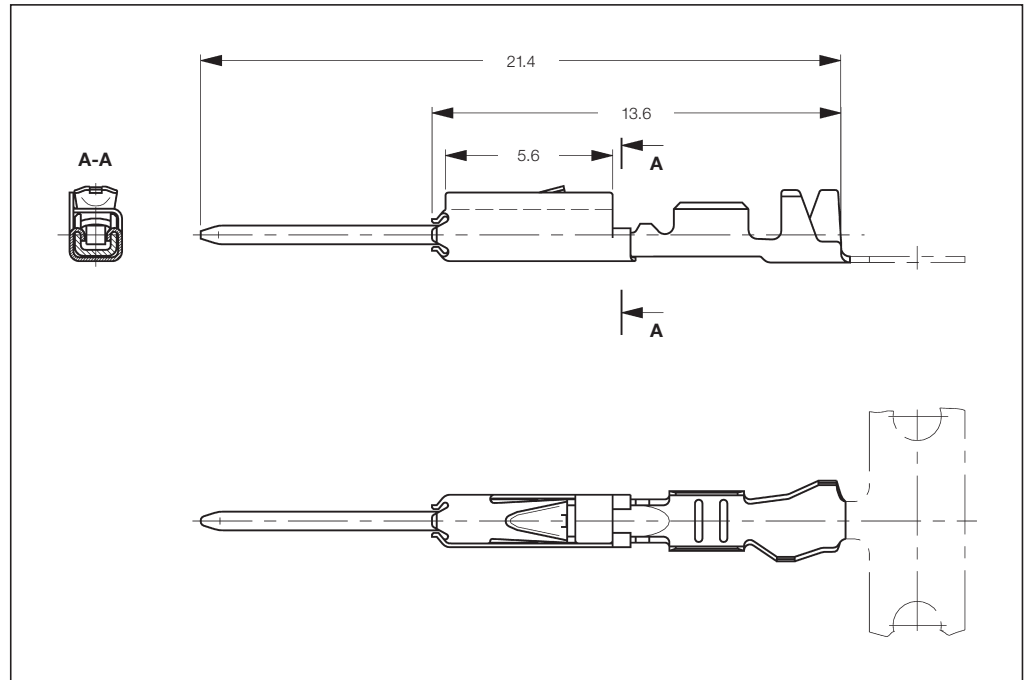
MQS Receptacle Contacts with Welding Area



Wire Size Range		Insulation Diameter (mm)	Material and Finish	Part Numbers				Applicator	Hand Tool
(mm ²)	(AWG)			Strip Form	Package Quantity	Loose-Piece	Package Quantity		
0.35-0.75	-	1.2-1.9	pre-tin plated	1719180-1	10,000	1719181-1	-	-	-

Pin Contacts

**Pin 0.63 x 0.63 mm,
Mates with
Micro Quadlok**



Standard Pin Contacts

Wire Size Range (mm ²)	Insulation Diameter		Material and Finish	Part Numbers						
	FLK (mm)	FLR (mm)		Strip Form	Package Quantity	Loose-Piece	Package Quantity	Applicator		Hand Tool 539635-1 with Die Set
								Standard	Fine Adjust	
0.14-0.22	-	0.9-1.2	pre-tin plated	1355719-1	13,000	1355720-1	500	1426402	1528009	5-1579001-2
			gold plated	1355719-2	13,000	1355720-2	500			
0.20-0.50	-	0.9-1.6	pre-tin plated	1-928918-1	13,000	1-963725-1	500	1238043*	1528035*	539682-2
			gold plated	1-928918-2	13,000	2-963725-1	500			
0.50-0.75	-	1.6-1.9	pre-tin plated	963716-1	10,000	963730-1	500	1238051	1528037	3-1579001-5
			gold plated	963716-2	10,000	963730-2	500			

*) **Applicator:** Part No. **1426459** and **1528313** for use with 0.2 mm² wire

Single Wire Sealing System

Wire Size Range (mm ²)	Insulation Diameter		Material and Finish	Part Numbers						
	FLK (mm)	FLR (mm)		Strip Form	Package Quantity	Loose-Piece	Package Quantity	Applicator		Hand Tool 539635-1 with Die Set
								Standard	Fine Adjust	
0.20-0.50	-	0.9-1.6	pre-tin plated	962886-1	10,000	963728-1	500	1426108	1528022	539685-2
			gold plated	962886-2	10,000	963728-2	500			
0.50-0.75	-	1.6-1.9	pre-tin plated	965908-1	10,000	965909-1	500	1426123	1528071	5-1579001-1
			gold plated	965908-2	10,000	965909-2	500			

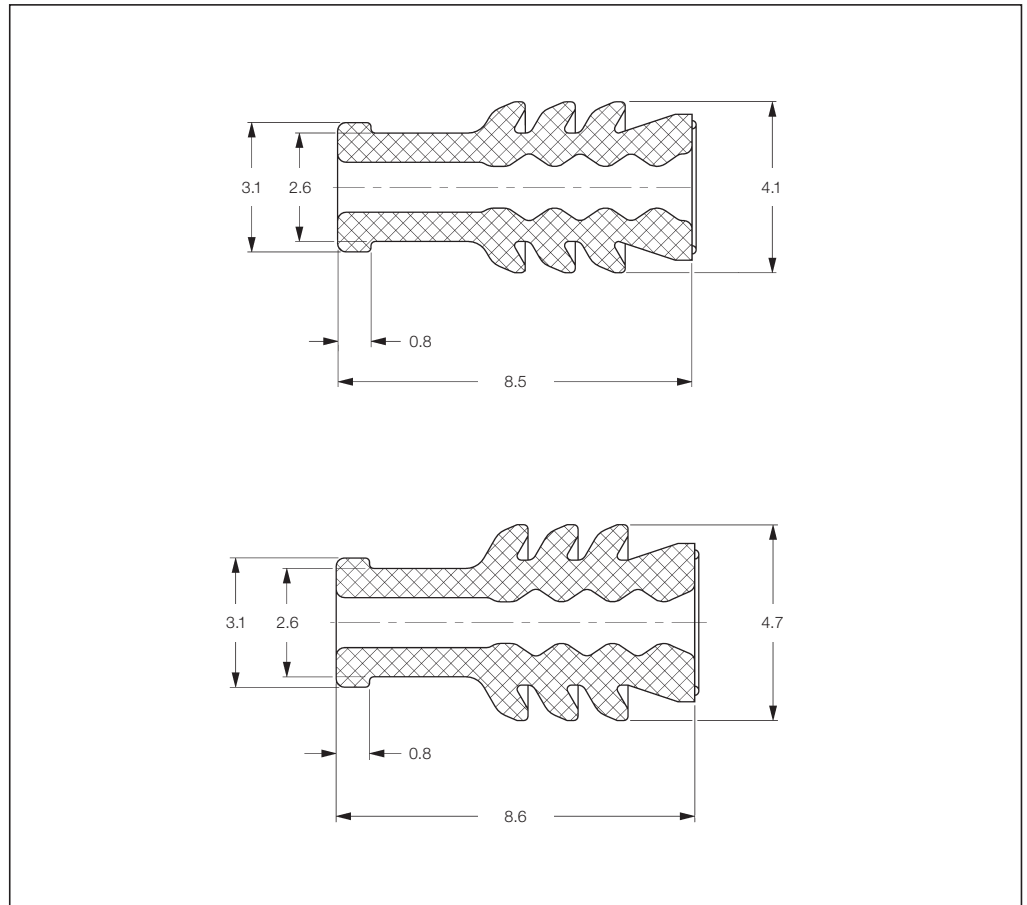
MQS Flexible Flat Cable (FFC) Pin Contacts

Wire Size Range* (mm ²)	Insulation Diameter*		Material and Finish	Part Numbers						
	FLK (mm)	FLR (mm)		Strip Form	Package Quantity	Loose-Piece	Package Quantity	Applicator		Hand Tool
								Standard	Fine Adjust	
-	-	-	pre-tin plated	1452128-1	13,000	1452129-1	500	-	-	90273-5

*) Depending on Foil

Single Wire Seals and Sealing Plugs

Single Wire Seals and Sealing Plugs for Micro Quadlok



Cavity Diameter 3.45 mm

Insulation Diameter		Color	Part Number	Package Quantity
FLK (mm)	FLR (mm)			
-	0.9-1.3	Yellow	967067-2	20,000
-	1.4-1.9	Green	967067-1	20,000
Sealing Plug		Blue	967056-1	5,000

Cavity Diameter 4.0 mm

Insulation Diameter		Color	Part Number	Package Quantity
FLK (mm)	FLR (mm)			
-	0.9-1.3	Grey	963142-2	20,000
-	1.4-1.9	Black	963142-1	20,000
Sealing Plug		White	963143-1	20,000

Introduction

Technical Features

Material

Contact: CuNiSi
Pin Contact: Copper-Alloy
Cantilever Spring: Stainless Steel

Contact Finish:

Tin plated

Conductor Binding:

Crimp Technology

Wire Size Range:

0.35 mm² up to 0.5 mm²
0.75 mm² up to 1.5 mm²

Current Carrying Capacity:

Up to 10 A at 80 °C

Temperature Range:

-40 °C ... +120 °C (tin plated)

Centerline:

- 3.5 x 2.54 mm (unsealed)
- 4.0 x 4.0 mm (wire size equal or less than 0.75 mm², sealed)
- 4.5 x 4.5 mm (wire size 1.0-1.5 mm², sealed)

Mating Cycles:

20 tin plated

Special Applications:

Receptacle Contact
Clean Body

Extraction Tool:

Part No. **6-1579007-2** or
Part No. **1355968-1**

Table Drawings:

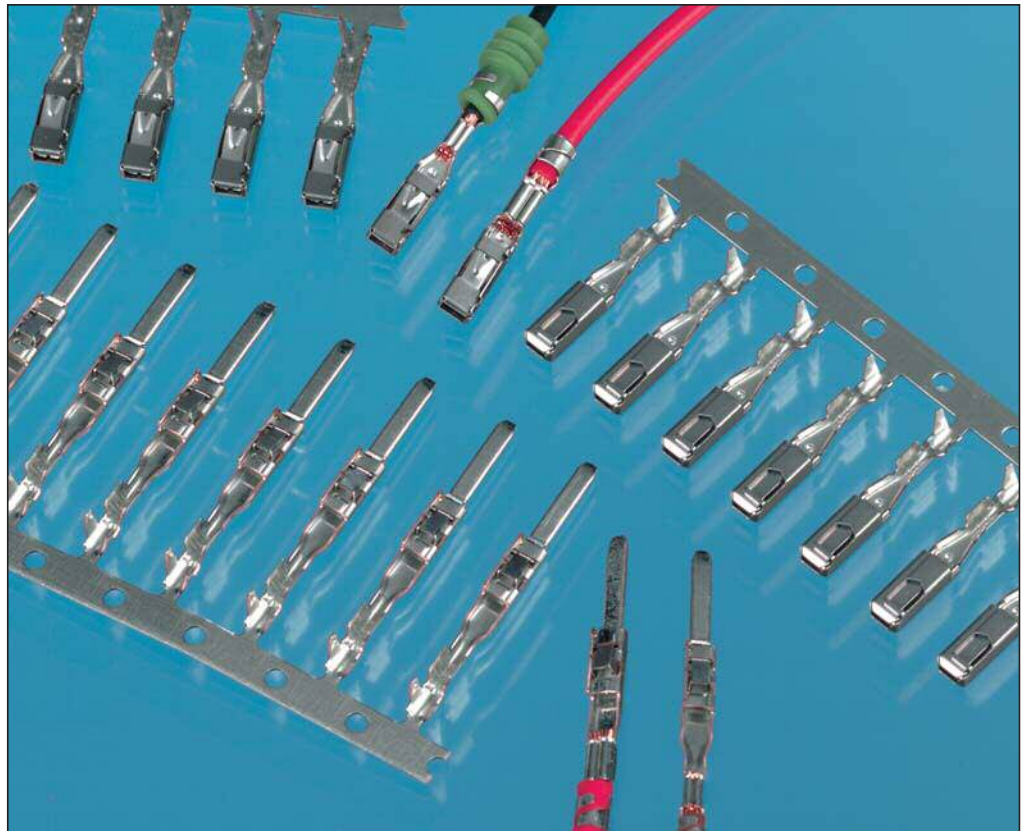
1241611
1241612 (Clean Body)
1452079

Product Specification:

108-18030

Application Specification:

114-18286



Product Description

With the well known Micro Quadlok System (MQS) we can offer you an additional contact 1.5 mm MQS. Available as male and female receptacle. The new terminal absolutely supplements the product range. All the advantages are designed in.

It is suitable for sealed and unsealed applications. Single wire sealing or the clean body version can give you high ability on the connector design.

In combination with the MQS, MPQ and PQ you have the benefit to have the secondary locking on a common level.

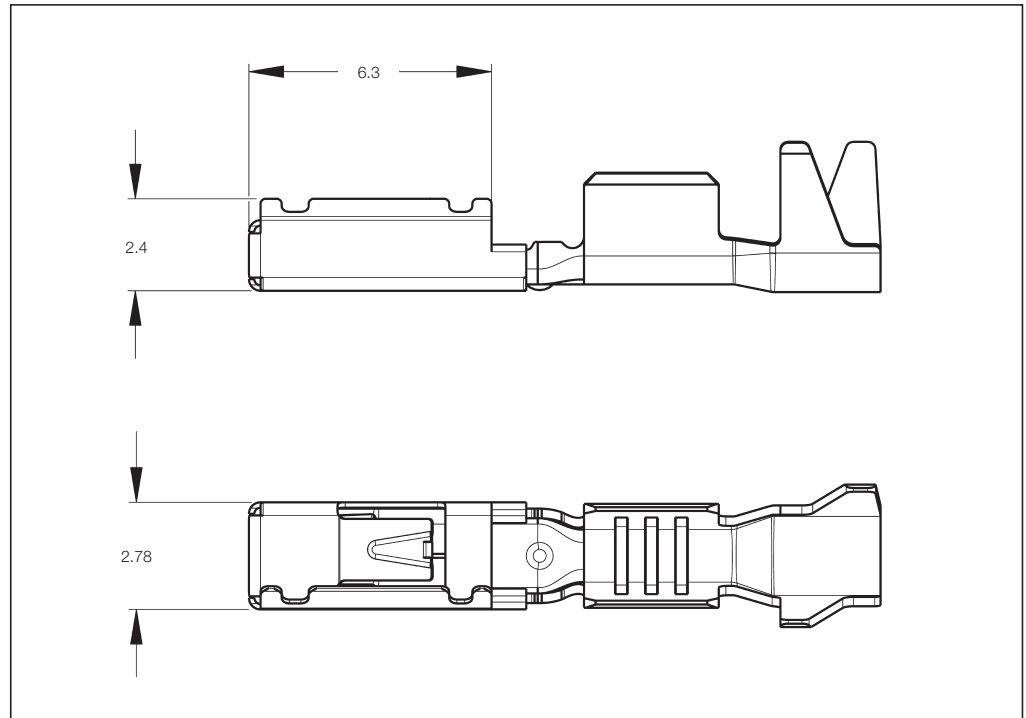
Mounting and dismantling of the terminals still guarantees the retention function. On the pin header side you can use a pin with higher rigidity.

With the two piece design electrical and mechanical functions are separated. Polarization and the two independent lockings bring together a safe and easy handling at the harness maker.

The normal contact force achieves without assisting cantilever spring. Four independent contact points assure a perfect current carry which you can use to contact stamped lead frames.

Receptacle Contacts

Receptacle
1.5 x 0.63 mm,
Mates with MQS 1.5



Standard Receptacle Contacts

Wire Size Range (mm ²)	Insulation Diameter		Material and Finish	Part Numbers						
	FLK (mm)	FLR (mm)		Strip Form	Package Quantity	Loose-Piece	Package Quantity	Applicator		Hand Tool 539635-1 with Die Set
								Standard	Fine Adjust	
0.35–0.50	–	1.1–1.6	tin plated	1355556-1	11,000	1355557-1	500	–	1528287	539692-2
0.75–1.50	–	1.7–2.4	tin plated	1355553-1	8,500	1355554-1	500	1426196	1528207	

Single Wire Sealing System

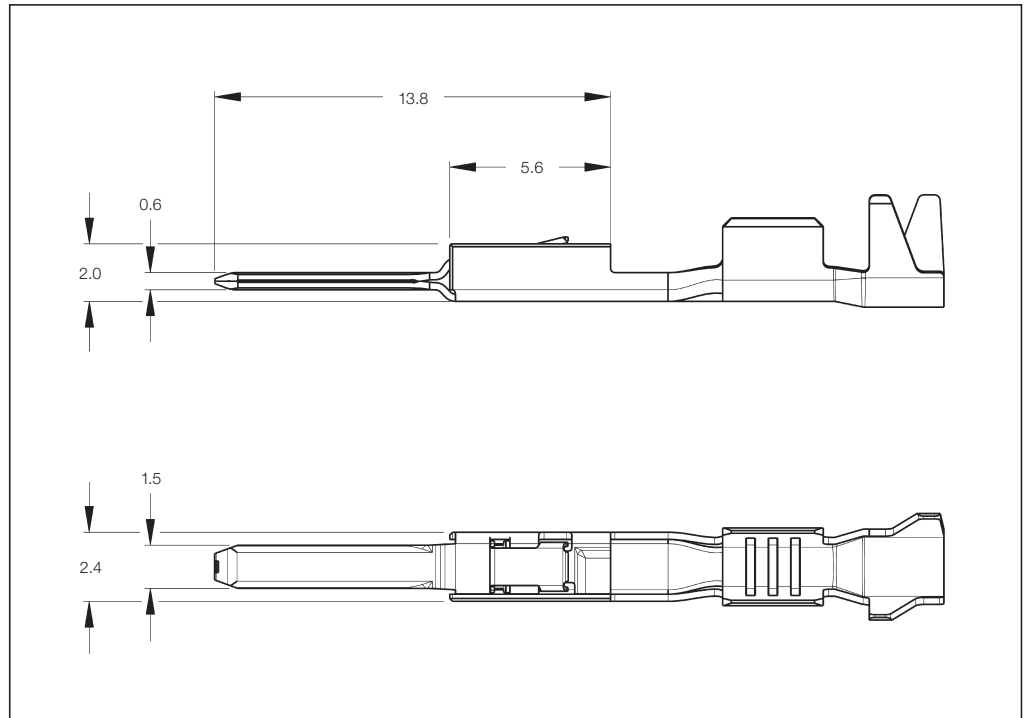
Wire Size Range (mm ²)	Insulation Diameter		Material and Finish	Part Numbers						
	FLK (mm)	FLR (mm)		Strip Form	Package Quantity	Loose-Piece	Package Quantity	Applicator		Hand Tool 539635-1 with Die Set
								Standard	Fine Adjust	
0.35–0.50	–	1.1–1.6	tin plated	1241603-1	8,500	1241604-1	500	–	1528323	539693-2
0.75–1.50	–	1.7–2.4	tin plated	1241605-1	8,500	1241606-1	500	1426403	1528227	

Clean Body

Wire Size Range (mm ²)	Insulation Diameter		Material and Finish	Part Numbers						
	FLK (mm)	FLR (mm)		Strip Form	Package Quantity	Loose-Piece	Package Quantity	Applicator		Hand Tool 539635-1 with Die Set
								Standard	Fine Adjust	
0.35–0.50	–	1.1–1.6	tin plated	1452158-1	12,000	1452157-1	500	–	1528287	539692-2
0.75–1.50	–	1.7–2.4	tin plated	1241608-1	8,500	1241609-1	500	1426196	1528207	

Tab Contacts

**Tab 1.5 x 0.63 mm,
Mates with MQS 1.5**

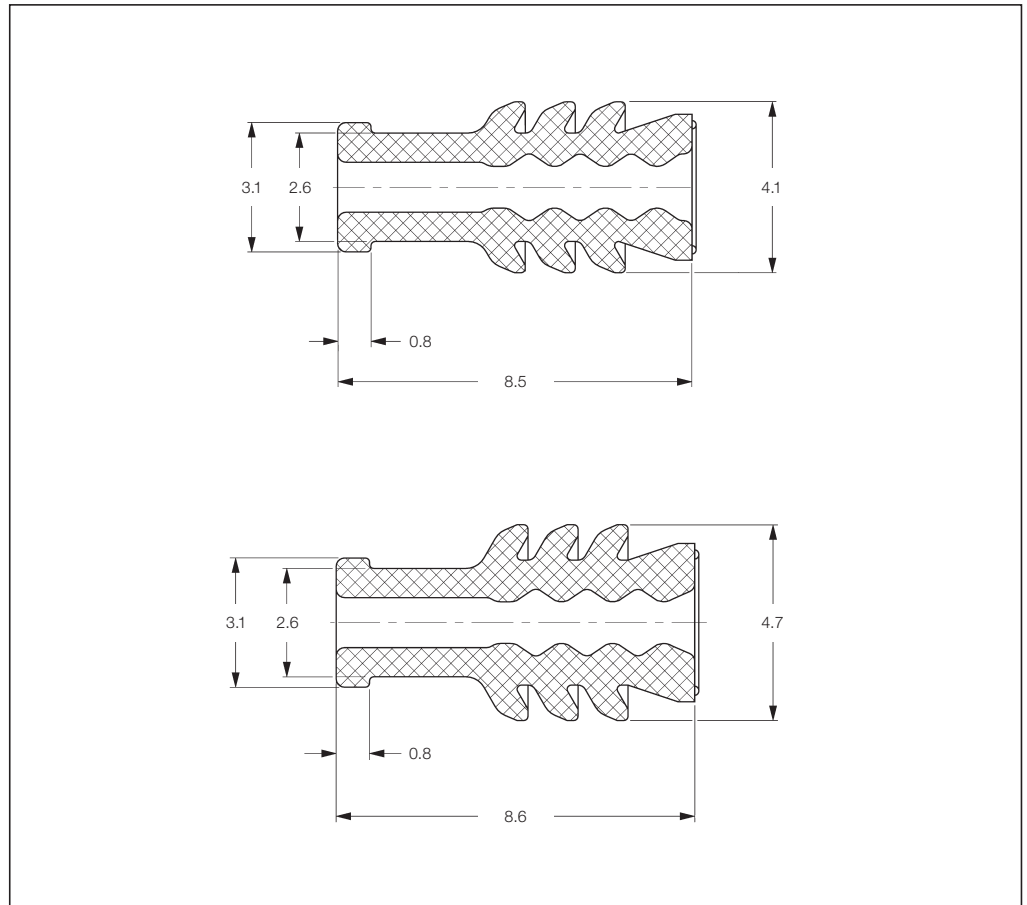


Standard Tab Contacts

Wire Size Range (mm ²)	Insulation Diameter		Material and Finish	Part Numbers				Applicator		Hand Tool 539635-1 with Die Set
	FLK (mm)	FLR (mm)		Strip Form	Package Quantity	Loose-Piece	Package Quantity	Standard	Fine Adjust	
0.35-0.50	-	1.1-1.6	tin plated	1452350-1	13,000	1452351-1	500	-	1528287	539692-2
0.75-1.50	-	1.7-2.4	tin plated	1452058-1	8,000	1452060-1	500	1426196	1528207	

Single Wire Seals and Sealing Plugs

Single Wire Seals and Sealing Plugs for MQS 1.5



Cavity Diameter 3.6 mm

Insulation Diameter		Color	Part Number	Package Quantity
FLK (mm)	FLR (mm)			
-	1.1-1.3	Yellow	967067-2	20,000
-	1.4-1.9	Green	967067-1	20,000
Sealing Plug		Blue	967056-1	5,000

Cavity Diameter 4.0 mm

Insulation Diameter		Color	Part Number	Package Quantity
FLK (mm)	FLR (mm)			
-	1.1-1.3	Grey	963142-2	20,000
-	1.4-1.9	Black	963142-1	20,000
-	1.9-2.4	Black	963142-1	20,000
Sealing Plug		White	963143-1	20,000

Receptacle Contacts

Technical Features

Material

Receptacle Contact: CuNiSi
Tab Contact: CuSn
Cantilever Spring: Stainless Steel

Contact Finish:

Tin plated, selective gold plated,
Palladium Nickel plated

Wire Size Range:

>0.35–0.5 mm²
>0.5–1.0 mm²
>1.0–2.5 mm²
stranded cable (FLR)

Current Carrying Capacity:

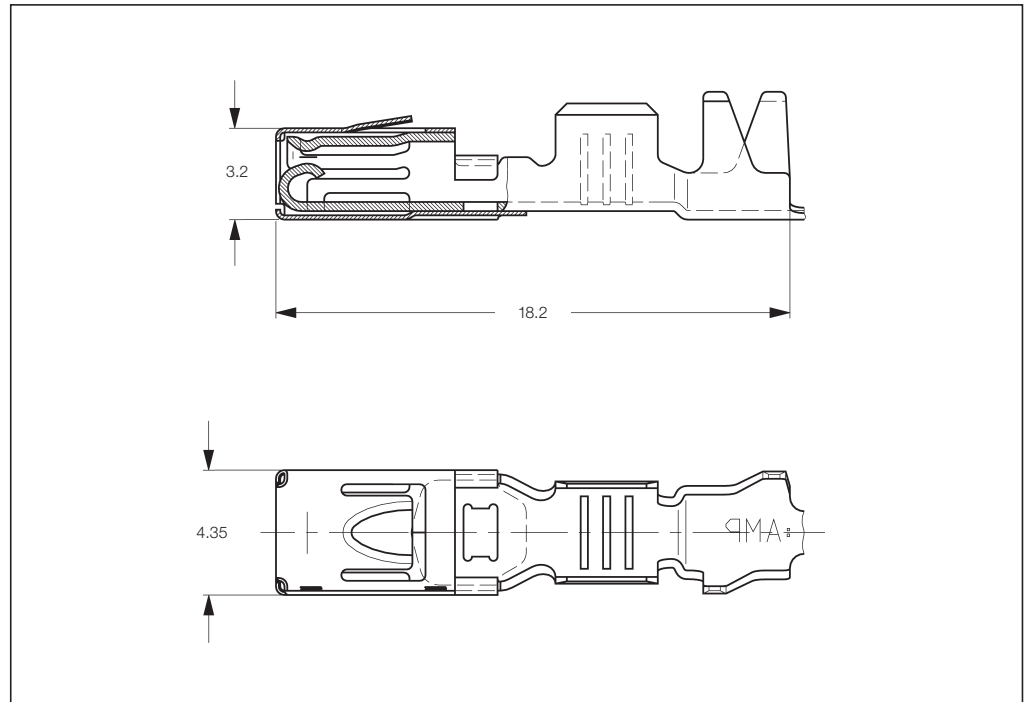
34 A (20 °C)
25 A (80 °C)

Temperature Range:

–40 °C ... +130 °C (tin plated)
–40 °C ... +150 °C (gold plated)

Centerline

Standard: 5.08 x 5.08 mm
Single Wire Sealing System:
7.0 x 7.0 mm



Extraction Tool:

Part No. **6-1579007-3** or
Part No. **1355968-1**

Chart Drawings

Receptacle Contact: 1355934
Tab Contact: 1355933

Product Specification:

108-18476-1

Application Specification:

114-18141-1

Standard Receptacle Contacts

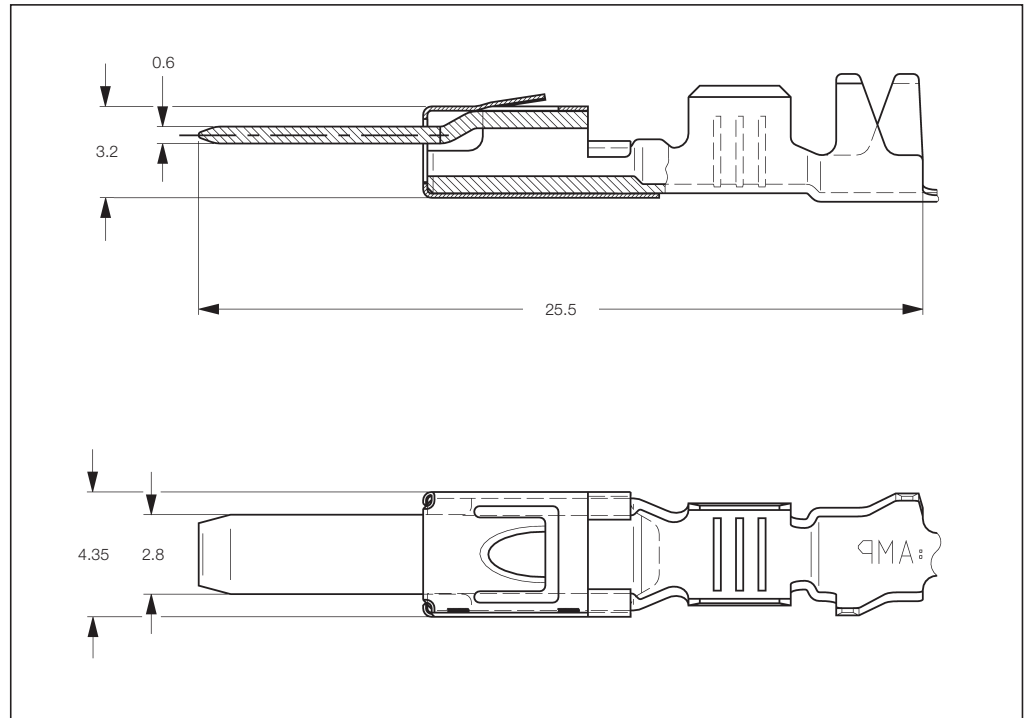
Wire Size Range (mm ²)	Insulation Diameter		Material and Finish	Part Numbers				Applicator		Hand Tool 354940-1 with Die Set
	FLK (mm)	FLR (mm)		Strip Form	Package Quantity	Loose-Piece	Package Quantity	Standard	Fine Adjust	
0.35–0.5	–	1.2–1.6	tin plated	968678-2	5,000	929155-2	500	–	1528211	539711-2
			gold plated	968678-5	5,000	929155-5	500			
>0.5–1.0	–	1.7–2.1	tin plated	968074-2	5,000	929156-2	500	–	1528344	58589-2
			gold plated	968074-5	5,000	929156-5	500			
>1.0–2.5	–	2.2–3.0	tin plated	968075-2	4,000	929157-2	500	1426259	1528223	58590-2
			gold plated	968075-5	4,000	929157-5	500			
4.0	–	3.4–3.7	tin plated	1355950-2	3,000	1355951-2	500	–	1528358	58590-2

Single Wire Sealing System

Wire Size Range (mm ²)	Insulation Diameter		Material and Finish	Part Numbers				Applicator		Hand Tool 354940-1 with Die Set
	FLK (mm)	FLR (mm)		Strip Form	Package Quantity	Loose-Piece	Package Quantity	Standard	Fine Adjust	
0.35–0.5	–	1.2–1.6	tin plated	968680-2	3,300	929158-2	500	–	1528749	539712-2
			gold plated	968680-5	3,300	929158-5	500			
>0.5–1.0	–	1.7–2.1	tin plated	968119-2	3,000	929159-2	500	–	1528175	58591-2
			gold plated	968119-5	3,000	929159-5	500			
			Palladium Nickel plated	968115-4	–	929159-4	–			
>1.0–2.5	–	2.2–3.0	tin plated	968120-2	3,000	929160-2	500	–	1528321	58592-2
			gold plated	968120-5	3,000	929160-5	500			

Tab Contacts

**Tab 2.8 x 0.63 mm,
Mates with
Micro Power Quadlok**



Standard Tab Contacts

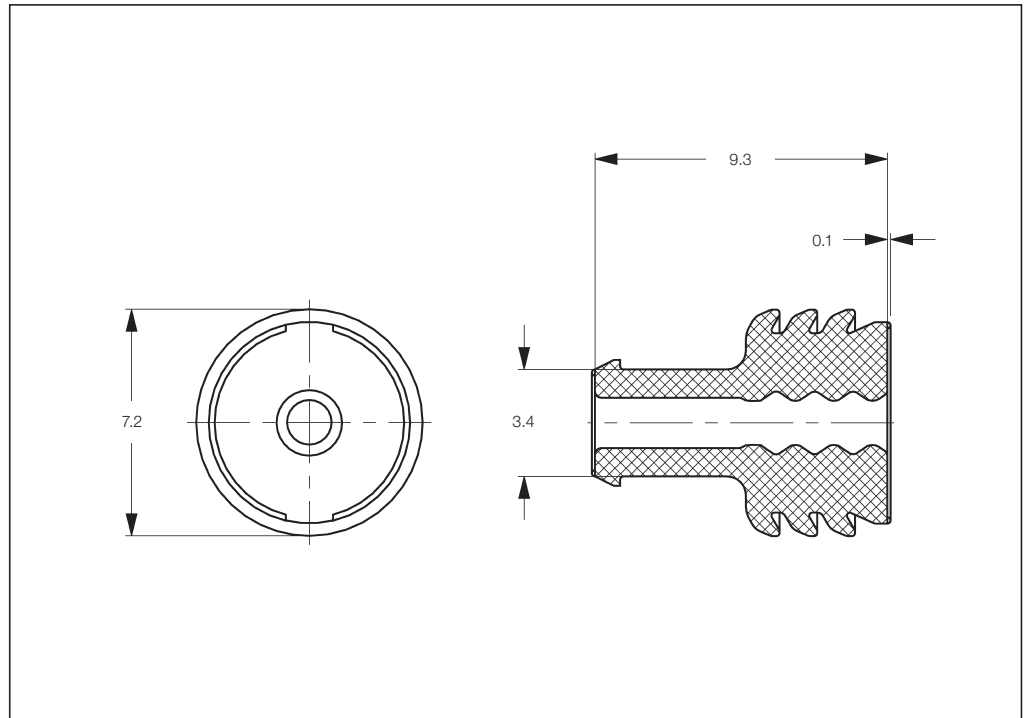
Wire Size Range (mm ²)	Insulation Diameter		Material and Finish	Part Numbers				Applicator		Hand Tool 354940-1 with Die Set
	FLK (mm)	FLR (mm)		Strip Form	Package Quantity	Loose-Piece	Package Quantity	Standard	Fine Adjust	
0.35-0.5	-	1.2-1.6	tin plated	968679-2	5,000	929161-2	500	-	1528211	539711-2
			gold plated	968679-5	5,000	929161-5	500			
>0.5-1.0	-	1.7-2.1	tin plated	968136-2	5,000	929162-2	500	-	1528344	58589-2
			gold plated	968136-5	5,000	929162-5	500			
>1.0-2.5	-	2.2-3.0	tin plated	968137-2	4,000	929163-2	500	1426259	1528223	58590-2
			gold plated	968137-5	4,000	929163-5	500			
4.0	-	3.4-3.7	tin plated	1355964-2	3,000	1355965-2	500	-	1528358	58590-2

Single Wire Sealing System

Wire Size Range (mm ²)	Insulation Diameter		Material and Finish	Part Numbers				Applicator		Hand Tool 354940-1 with Die Set
	FLK (mm)	FLR (mm)		Strip Form	Package Quantity	Loose-Piece	Package Quantity	Standard	Fine Adjust	
0.35-0.5	-	1.2-1.6	tin plated	968681-2	3,500	929164-2	500	-	1528749	539712-2
			gold plated	968681-5	3,500	929164-5	500			
>0.5-1.0	-	1.7-2.1	tin plated	968138-2	3,000	929165-2	500	-	1528175	58591-2
			gold plated	968138-5	3,000	929165-5	500			
>1.0-2.5	-	2.2-3.0	tin plated	968139-2	3,000	929166-2	500	-	1528321	58592-2
			gold plated	968139-5	3,000	929166-5	500			

Single Wire Seals and Sealing Plugs

**Single Wire Seals
and Sealing Plugs
for Micro Power Quadlok**



Insulation Diameter		Color	Part Number	Package Quantity
FLK (mm)	FLR (mm)			
-	1.2-2.1	Grey	967610-1	5,000
-	2.2-3.0	Yellow	967609-1	5,000
Sealing Plug		Transparent	967653-1	5,000

Receptacle Contacts

Technical Features

Material

Receptacle Contact: CuNiSi
Tab Contact: CuSn
Cantilever Spring: Stainless Steel

Contact Finish:

Pre-tin plated,
Paladium Nickel plated

Wire Size Range:

>1.0–6.0 mm² Single Wires
(Single Wire Sealing System)

Current Carrying Capacity:

4.0 mm² (free in air/RT)
45 A (20 °C)
30 A (80 °C)

Temperature Range:

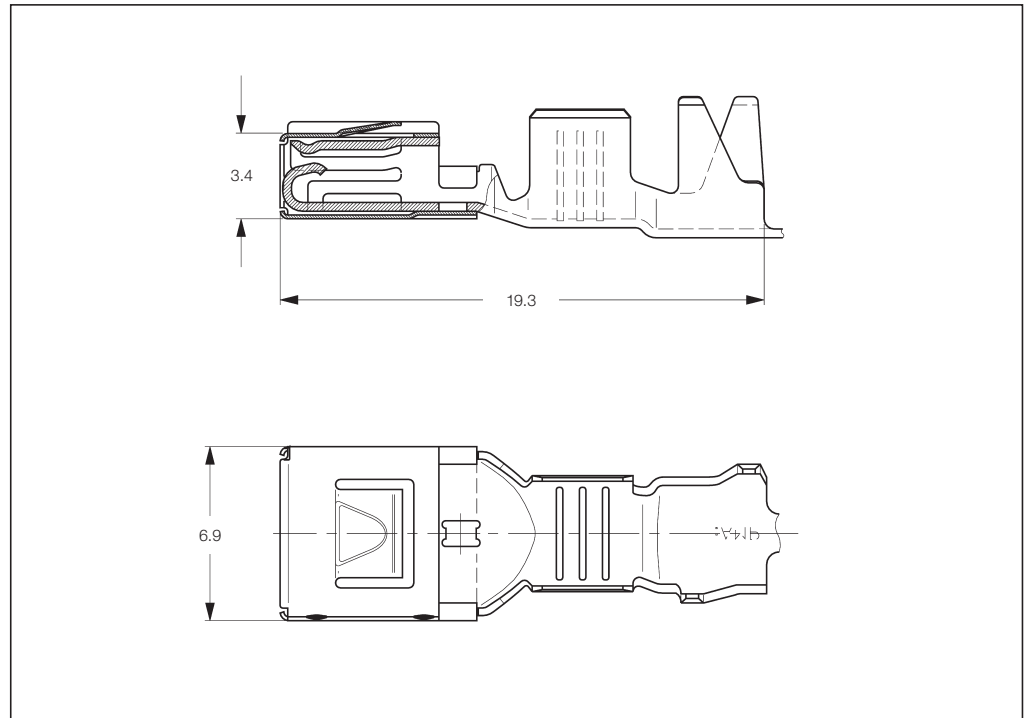
–40 °C to +130 °C (tin plated)

Centerline:

“Pitch 7” Version:
7.62 x 7.0 mm (Standard)

“Pitch 6” Version:
7.62 x 6.0 mm (Standard)

9.1 x 9.1 mm
(Single Wire Sealing System)



Extraction Tool:

Part No. **6-1579007-4** or
Part No. **1355968-1**

Chart Drawings:

Receptacle Contact: 1241638
Tab Contact: 1241639

Product Specification:

108-18476-1

Application Specification:

114-18141-1

Standard Receptacle Contacts

Wire Size Range (mm ²)	Insulation Diameter		Material and Finish	Part Numbers				Applicator		Hand Tool 354940-1 with Die Set
	FLK (mm)	FLR (mm)		Strip Form	Package Quantity	Loose-Piece	Package Quantity	Standard	Fine Adjust	
>1.0–2.5	–	2.2–3.0	pre-tin plated	968072-2*	2,800	929203-2	500	–	1528215	58593-2
				1241601-2**	2,500	1241642-2	500			
>2.5–4.0	–	3.4–3.7	pre-tin plated	968073-2*	2,300	929204-2	500	1426313	1528319	58594-2
				1241602-2**	2,400	1241643-2	500			

* “Pitch 7” Version

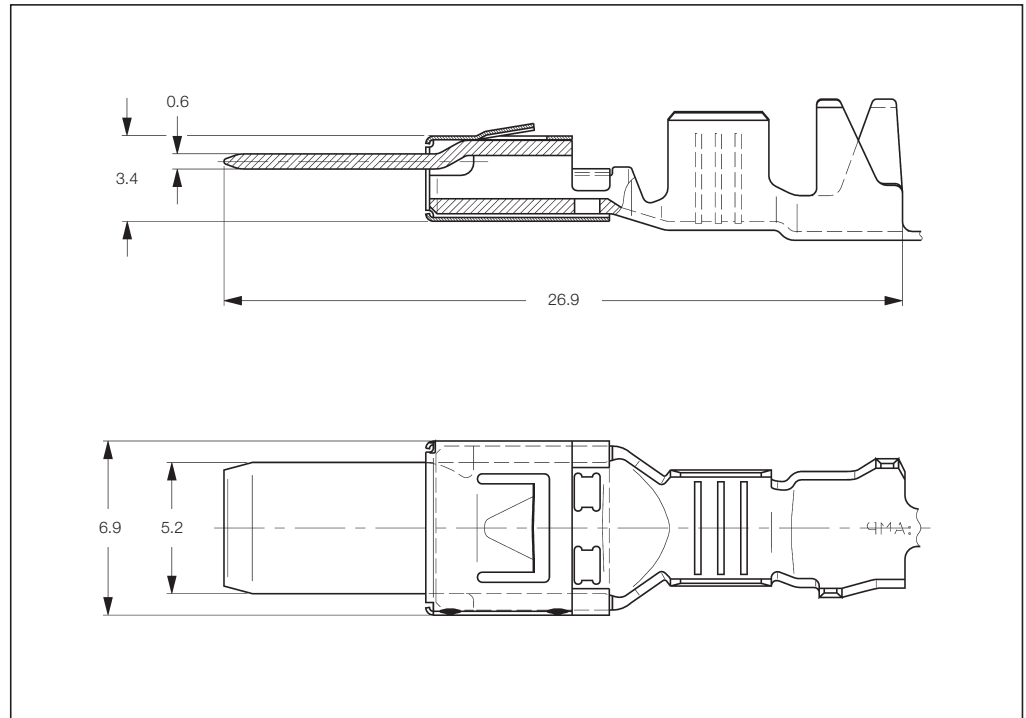
** “Pitch 6” Version

Single Wire Sealing System

Wire Size Range (mm ²)	Insulation Diameter		Material and Finish	Part Numbers				Applicator		Hand Tool 354940-1 with Die Set
	FLK (mm)	FLR (mm)		Strip Form	Package Quantity	Loose-Piece	Package Quantity	Standard	Fine Adjust	
>1.0–2.5	–	2.2–3.0	pre-tin plated	968121-2	1,800	929205-2	500	–	1528356	58595-2
			Paladium Nickel plated	968121-4	–	–	–			
>2.5–4.0	–	3.4–3.7	pre-tin plated	968122-2	1,800	929206-2	500	–	1528357	58596-2
			Paladium Nickel plated	968121-4	–	–	–			

Tab Contacts

**Tab 5,2 x 0.63 mm,
Mates with
Power Quadlok**



Standard Tab Contacts

Wire Size Range (mm ²)	Insulation Diameter		Material and Finish	Part Numbers				Applicator		Hand Tool 354940-1 with Die Set
	FLK (mm)	FLR (mm)		Strip Form	Package Quantity	Loose-Piece	Package Quantity	Standard	Fine Adjust	
>1.0–2.5	–	2.2–3.0	pre-tin plated	968131-2*	3,000	929207-2	500	–	1528215	58593-2
				1241614-2**	3,000	1241644-2	500			
>2.5–4.0	–	3.4–3.7	pre-tin plated	968132-2*	2,300	929208-2	500	1426313	1528319	58594-2
				1241615-2**	2,300	1241645-2	500			

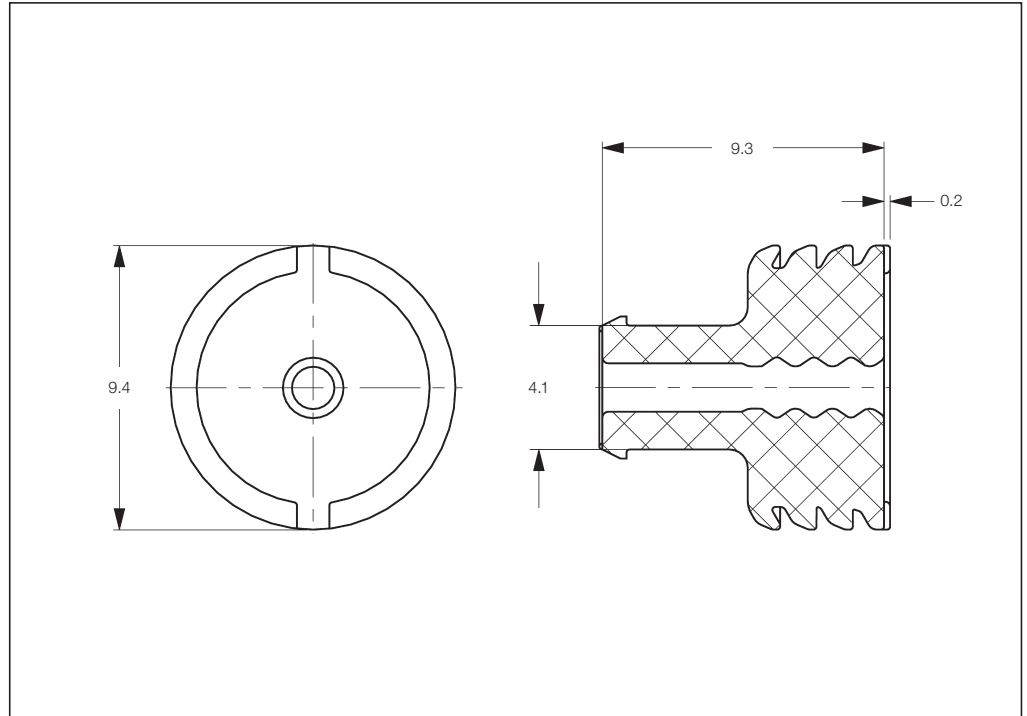
* "Pitch 7" Version
** "Pitch 6" Version

Single Wire Sealing System

Wire Size Range (mm ²)	Insulation Diameter		Material and Finish	Part Numbers				Applicator		Hand Tool 354940-1 with Die Set
	FLK (mm)	FLR (mm)		Strip Form	Package Quantity	Loose-Piece	Package Quantity	Standard	Fine Adjust	
>1.0–2.5	–	2.2–3.0	pre-tin plated	968133-2	2,000	929209-2	500	–	1528356	58595-2
>2.5–4.0	–	3.4–3.7	pre-tin plated	968134-2	2,000	929210-2	500	–	1528357	58596-2

Single Wire Seals and Sealing Plugs

Single Wire Seals and Sealing Plugs for Power Quadlok



Insulation Diameter		Color	Part Number	Package Quantity
FLK (mm)	FLR (mm)			
-	2.2-3.0	Yellow	967607-1	3,000
-	3.4-3.7	Green	967608-1	3,000
Sealing Plug		Transparent	967652-1	20,000